

# Lumos Glow panel 400 User manual

Ver. 2.5



# Lumos Glow panel 400 Series

## Product Overview

### ➤ Optical Characteristics

**High CRI** : 96Ra(Max)@3200K, 95Ra(Max)@5600K

**Correlated Color Temperature(CCT)** : 2800K ~ 10000K (Green-Magenta Adjustable)

**Full Color RGBW LED(Color type)** : HUE 360°, Adjust the Saturation

### ➤ Features

#### Flicker Free

Flicker-free lighting

#### DMX

DMX 512 channel module control for all functions remotely

#### Dimming Control

Smooth digital dimming technology from 100% to 0%

#### Various modes

CCT / HSI / RGBW / CCT&RGBW / CCT&HSI / GEL / Effect / Preset / fan control

#### Case Material

Metal (Aluminum & Steel)

#### Advanced Heat managing technology

The patented technology to improve air flow to cool down the heat created inside the product.

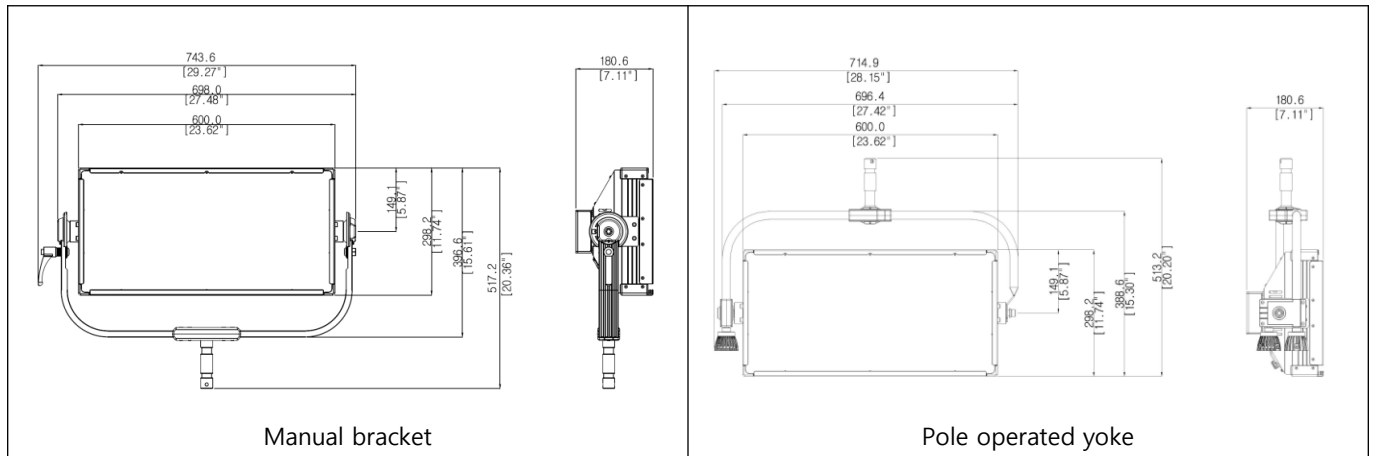
The convection heat mode is at LED PCB temperatures below 39°C. (No fan)

And cooling fans operate automatically when LED PCB temperatures above 40°C.

## Product size & Technical Specifications

### ➤ Product size

1. **Size of light body** : W600 X H299 X L181 (mm) / W23.6 X H11.7 X L7.1 (in)
2. **Weight without accessories** : 12.7 kg (28.0 lbs)
3. **Dimensions**



### ➤ Technical specifications

1. **Power Consumption** : 400W Nominal / 450W Max.

2. **Power Input** : AC 110~240V, 50~60Hz

3. **Photometric** : 3200K - 12,160 Lux@1m  
5600K - 11,523 Lux@1m

4. **CRI** : 96Ra @3200K  
95Ra @5600K

5. **CCT** : 2800K~10000K (Green-Magenta Adjustable)

6. **Dimming** : Digital

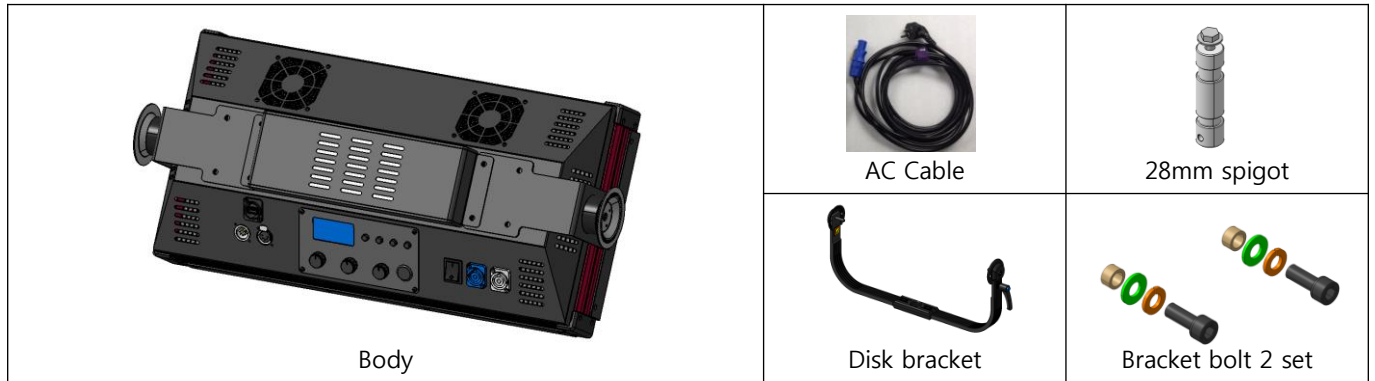
7. **DMX** : DMX controlling up to 512 channels

8. **Operating Temp.** : 0°C ~ 45°C

# Lumos Glow panel 400 Series

## Components

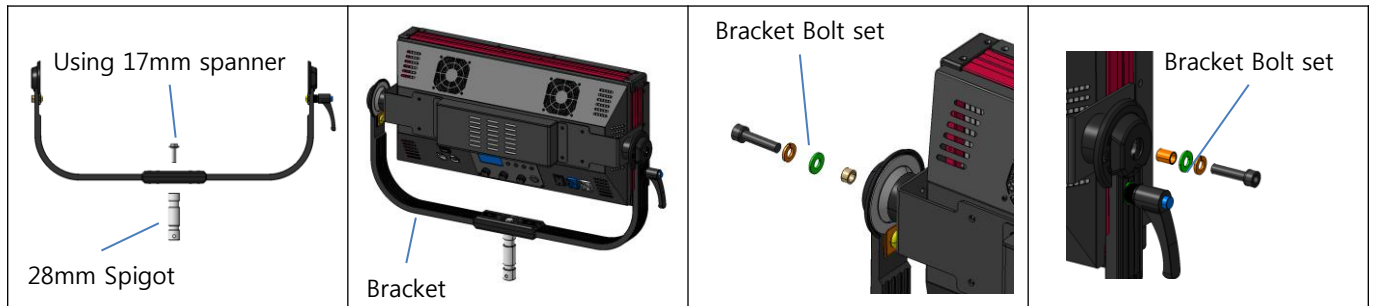
The components shown in this manual are subject to change.



## Proper usage

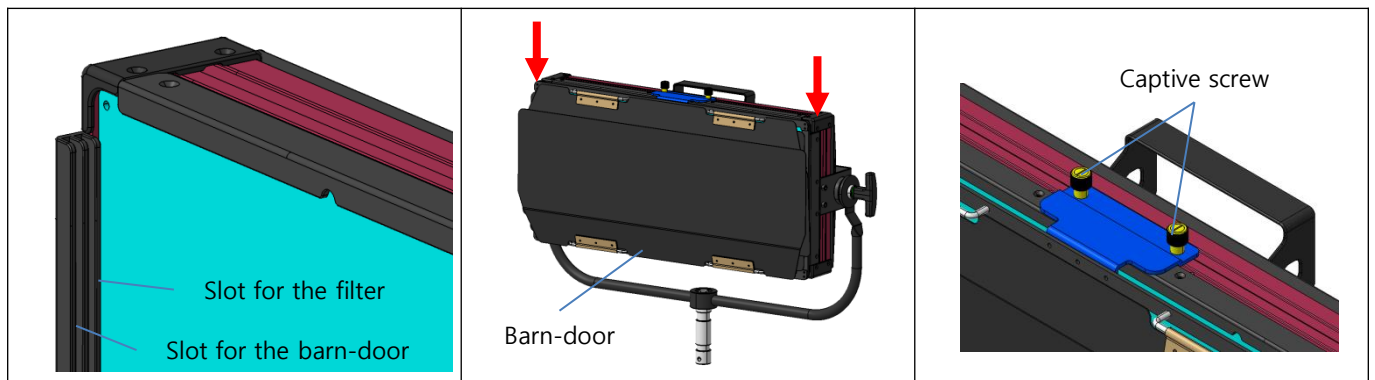
### ➤ Assembling the bracket

How to assemble the bracket included in the box package.



### ➤ Mounting the Barn-door or Filter (Honeycomb)

Lumos Glow panel 400 has two different slots, each for barn-door and filter.  
The slot closer to the window is for the filter, and the outer slot for the barn-door.



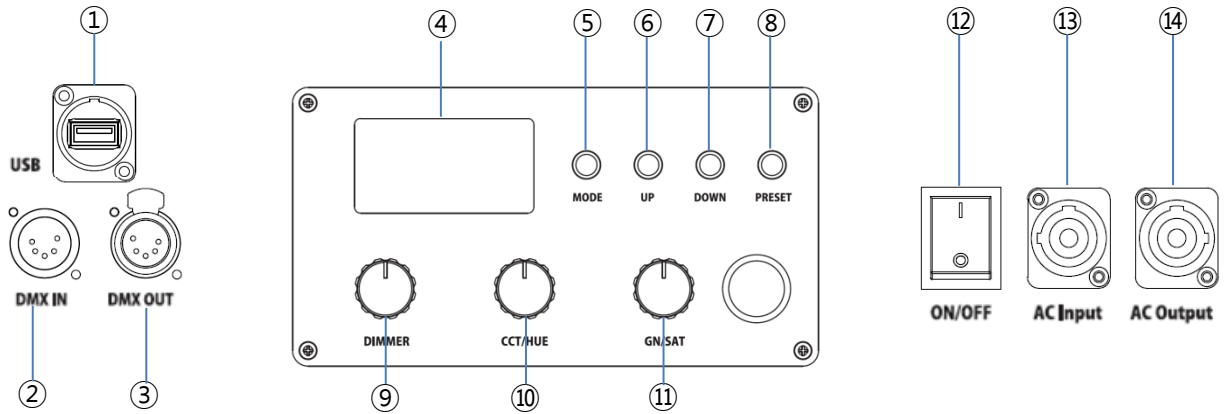
### ➤ Firmware update

Lumos Glow panel 400's new firmware can be updated using USB 2.0 flash drive. (USB format FAT32 type)

- 1) Copy firmware HEX file (image.hex) to USB flash drive.  
( **Do not change the file name.** And **do not put in any folder.** If do, the system will not recognize the file.)
- 2) Turn off the Glow panel 400 and connect the USB flash drive to the USB port on the back of the light.
- 3) While holding the push mode button, turn on the Glow panel and hold the push mode button for 10 seconds.
- 4) After holding for 10 seconds, releasing the mode button will automatically complete the firmware update.

# Lumos Glow panel 400 Series

## Control



### ➤ Key functions

	Part names	Print names	Function
①	USB port	USB	Firmware update
②	DMX Input	DMX IN	Input for DMX signal
③	DMX output	DMX out	Output for DMX signal
④	LCD	-	Display menu / functions / status
⑤	Mode button	MODE	Shift the display mode / select
⑥	Up button	UP	Mode scroll Up (depending on the mode)
⑦	Down button	Down	Mode scroll Down (depending on the mode)
⑧	Preset button	Preset	Press the button brings up the list of loaded presets and select preset Press and hold down the button brings up the list of presets and save preset
⑨	Dimming knob	DIMMER	Control the dimming Push knob to change each 25%
⑩	CCT/HUE knob	CCT/HUE	Control the CCT or HUE (depending on the mode) Push knob to change value
⑪	GN/SAT knob	GN/SAT	Control the GN or Saturation (depending on the mode) Push knob to change value
⑫	Power ON/OFF	ON/OFF	Turning the power On/Off
⑬	AC Input	AC Input	Input AC
⑭	AC Output	AC Output	Output AC

### ➤ Key functions in mode

Mode	⑥ Up, ⑦ Down button	⑩ CCT/HUE Knob	⑪ GN/SAT knob
CCT	-	CCT	GN
HSI	-	HUE	Saturation
RGBW	-	Control R/G/B/W figures	Change control color (RGBW)
CCT&RGBW	Change CCT <-> RGBW	Control CCT or RGBW	Control CCT or change color
CCT&HSI	Change CCT <-> HSI	Control CCT or HUE	Control GN or Sat
GEL	-	Change 3200K <-> 5600K Change filter category	Change Rosco <-> LEE filters Change filters
Effect	-	Depending on the effect	Depending on the effect

# Lumos Glow panel 400 Series

## ➤ Mode [1/2]

Mode	Function
CCT	<ul style="list-style-type: none"> <li>• Dimming 0~100% control (adjust by 1 / 25%)</li> <li>• CCT 2800K~10000K control (adjust by 100K)</li> <li>• Green-Magenta GN -0.030~+0.030 Control (adjust by 0.001)</li> </ul>
HSI	<ul style="list-style-type: none"> <li>• Dimming 0~100% control (adjust by 1 / 25%)</li> <li>• HUE 0°~360° control (adjust by 1 / 15°)</li> <li>• Saturation 0~100% control (adjust by 1 / 25%)</li> </ul>
RGBW	<ul style="list-style-type: none"> <li>• Dimming 0~100% control (adjust by 1 / 25%)</li> <li>• Red / Green / Blue / White LED 0~100% Control (adjust by 1 / 25%)</li> </ul>
CCT&RGBW	<ul style="list-style-type: none"> <li>• CCT and RGBW mode</li> <li>• Change mode by up/down button</li> </ul>
CCT&HSI	<ul style="list-style-type: none"> <li>• CCT and HSI mode</li> <li>• Change mode by up/down button</li> </ul>
GEL	<ul style="list-style-type: none"> <li>• Dimming 0~100% control (adjust by 1 / 25%)</li> <li>• CCT 3200K or 5600K Control</li> <li>• Gel filter Brand select (Rosco or LEE filters or no gel)</li> <li>• Gel filter select (Total 67 Gel filters) (Rosco [26 Gel filters] / LEE filters [41 Gel filters])</li> </ul>
Effect	<ul style="list-style-type: none"> <li>• Color chase</li> <li>- Dimming 0~100% and black out control (adjust by 10%)</li> <li>- Speed 0~100% control (adjust by 1 / 25%)</li> <li>- Saturation 0~100% Control (adjust by 1 / 25%)</li> </ul>
	<ul style="list-style-type: none"> <li>• Strobe</li> <li>- Dimming 0~100% and black out control (adjust by 10%)</li> <li>- CCT 2800K~10000K control (adjust by 100K)</li> <li>- Flash speed 0~100% control (adjust by 25%)</li> </ul>
	<ul style="list-style-type: none"> <li>• Light bar</li> <li>- Dimming 0~100% and black out control (adjust by 10%)</li> <li>- Change color type (Red / Green / Blue / Red + Green / Red + Blue / Green + Blue / Red + White / Green + White / Blue + white / Red + Blue + white / Red + Green + Blue)</li> <li>- Change flash type (Single / Double / Triple / Triple all / Cycle)</li> </ul>
	<ul style="list-style-type: none"> <li>• Television</li> <li>- Dimming 0~100% and black out control (adjust by 10%)</li> <li>- Change color type ( Warmer [2800~4700K] / Neutral [4800~6500K] / Cooler [6600~10000K] )</li> <li>- Change speed (4~24 change / min)</li> </ul>

# Lumos Glow panel 400 Series

## ➤ Mode [2/2]

Mode	Function
Preset	<ul style="list-style-type: none"> <li>• Save and load 10 presets</li> <li>- Press the preset button brings up the list of loaded preset and select preset</li> <li>- Press and hold down the preset button brings up the list of Saved presets and save preset</li> </ul>
Setting	<ul style="list-style-type: none"> <li>• Change DMX address (1~512)</li> <li>• Select DMX protocol (Dimming 8bit or 16bit mode 0~13)</li> <li>• Control Fan mode [Fan auto on / Fan all on / Fan half on / fan off ]</li> </ul>
Information	<ul style="list-style-type: none"> <li>• Display status</li> <li>- LED PCB temperature</li> <li>- Fan status and input Voltage</li> <li>- Firmware version and date</li> </ul>
Low Dimming set.	<ul style="list-style-type: none"> <li>• Adjust the low dimming setting</li> <li>- Red, Green, Blue, White LED low dimming setting.</li> </ul>
Fan control	<ul style="list-style-type: none"> <li>• Fan Auto on</li> <li>- LED PCB Temp. 0~39°C fan off / 40~44°C fan half on / 45°C~ Fan all on</li> <li>• Fan all on</li> <li>- Dimming 0~50% Fan off / 51~100% Fan all on</li> <li>• Fan half on</li> <li>- Dimming 75% max. / Dimming 0~50% Fan off / 51~75% Fan half on</li> <li>• Fan off</li> <li>- Dimming 50% max. / Not use the fan</li> </ul>
Fan fault alarm	<ul style="list-style-type: none"> <li>• Display fan fault status (Fan fault)</li> <li>• Automatically dimming down for safe (Dimming 50%)</li> </ul>

# Lumos Glow panel 400 Series

## ➤ Menu table [1/6]

Mode	Key		Explanation
CCT	⑨	Dimming knob rotation	1% Dimming (0~100%)
		Dimming knob push	25% Dimming (0~100%)
	⑩	CCT/HUE knob rotation	100K CCT control (2800K~10000K)
		CCT/HUE knob push	CCT 2800K/3200K/4400K/5600K/6500K/8000K/10000K
	⑪	GN/Sat knob rotation	0.001 Green-Magenta control (-0.030~ +0.030)
		GN/Sat knob push	0.010 Green-Magenta control (-0.030~ +0.030)
HSI	⑨	Dimming knob rotation	1% Dimming (0~100%)
		Dimming knob push	25% Dimming (0~100%)
	⑩	CCT/HUE knob rotation	1° HUE control (0°~360°)
		CCT/HUE knob push	15° HUE control (0~360°)
	⑪	GN/Sat knob rotation	1% Saturation control (0~100%)
		GN/Sat knob push	25% Saturation control (0~100%)
RGBW	⑨	Dimming knob rotation	1% Dimming (0~100%)
		Dimming knob push	25% Dimming (0~100%)
	⑩	CCT/HUE knob rotation	1% Red/Green/Blue/White color control (0~100%)
		CCT/HUE knob push	25% Red/Green/Blue/White color control (0~100%)
	⑪	GN/Sat knob	Change control color (R/G/B/W)

# Lumos Glow panel 400 Series

## ➤ Menu table [2/6]

Mode	Key		Explanation	
CCT&RGBW	⑨	Dimming knob rotation	1% Dimming (0~100%)	
		Dimming knob push	25% Dimming (0~100%)	
	⑩	CCT/HUE knob rotation	100K CCT control (2800K~10000K)	
		CCT/HUE knob push	CCT 2800K/3200K/4400K/5600K/6500K/8000K/10000K	
	⑪	GN/Sat knob rotation	0.001 Green-Magenta control (-0.030~ +0.030)	
		GN/Sat knob push	0.010 Green-Magenta control (-0.030~ +0.030)	
	⑥	Up button	CCT ↔ RGBW change	
	⑦	Down button		
	⑩	CCT/HUE knob rotation	1% Red/Green/Blue/White color control (0~100%)	
		CCT/HUE knob push	25% Red/Green/Blue/White color control (0~100%)	
	⑪	GN/Sat knob	Change control color (R/G/B/W)	
	CCT&HSI	⑨	Dimming knob rotation	1% Dimming (0~100%)
			Dimming knob push	25% Dimming (0~100%)
		⑩	CCT/HUE knob rotation	100K CCT control (2800K~10000K)
CCT/HUE knob push			CCT 2800K/3200K/4400K/5600K/6500K/8000K/10000K	
⑪		GN/Sat knob rotation	0.001 Green-Magenta control (-0.030~ +0.030)	
		GN/Sat knob push	0.010 Green-Magenta control (-0.030~ +0.030)	
⑥		Up button	CCT ↔ HSI change	
⑦		Down button		
⑩		CCT/HUE knob rotation	1° HUE control (0°~360°)	
		CCT/HUE knob push	15° HUE control (0~360°)	
⑪		GN/Sat knob rotation	1% Saturation control (0~100%)	
		GN/Sat knob push	25% Saturation control (0~100%)	



# Lumos Glow panel 400 Series

## ➤ Menu table [3/6]

Mode		Key		Explanation	
GEL	Dimming & CCT & Gel brand control	⑨	Dimming knob rotation	1% Dimming (0~100%)	
			Dimming knob push	25% Dimming (0~100%)	
		⑩	CCT/HUE knob rotation	CCT 3200K or 5600K	
		⑪	GN/Sat knob rotation	Change to Rosco or LEE filters (or no gel)	
			GN/Sat knob push	Move to gel filter select mode	
	Gel filter select	⑩	CCT/HUE knob rotation	Change to category	
			⑪	GN/Sat knob rotation	Change to gel filter
				GN/Sat knob push	Select to gel filter
Setting	-	⑤	Mode button	Select mode	
	DMX Address	⑥	Up button	DMX address setting (1~512)	
		⑦	Down button		
	DMX Protocol	⑥	Up button	Select dimming 8 bit or 16 bit DMX mode 01~13	
		⑦	Down button		
	Fan control	⑥	Up button	Select Fan mode Fan auto on / Fan all on / Fan half on / Fan off mode	
		⑦	Down button		
	Preset	Load Preset	⑧	Preset button	Move to Load preset mode (10 presets) Select to preset
⑥			Up button	Scroll to Load preset	
			⑦		Down button
Save Preset		⑧	Preset button push and hold 5 seconds	Move to Save preset mode (10 presets) Again to push and hold 5 seconds, save preset	
		⑥	Up button	Scroll to save preset	
			⑦		Down button

# Lumos Glow panel 400 Series

## ➤ Menu table [4/6]

Mode		Key		Explanation
Effect	Color chase	⑨	Dimming knob rotation	10% Dimming (0~100%)
			Dimming knob push	Black out
		⑩	CCT/HUE knob rotation	1% speed control (0~100%)
			CCT/HUE knob push	25% speed control (0~100%)
		⑪	GN/Sat knob rotation	1% Saturation control (0~100%)
			GN/Sat knob push	25% Saturation control (0~100%)
	Strobe	⑨	Dimming knob rotation	10% Dimming (0~100%)
			Dimming knob push	Black out
		⑩	CCT/HUE knob rotation	100K CCT control (2800K~10000K)
			CCT/HUE knob push	CCT 2800K/3200K/4400K/5600K/6500K/8000K/10000K
⑪		GN/Sat knob rotation	25 flash speed control (0~100%)	
		GN/Sat knob push		

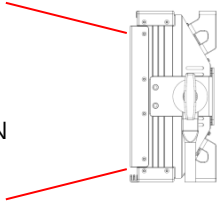
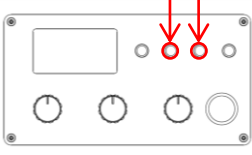
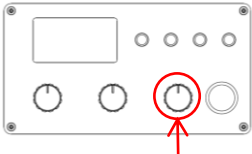
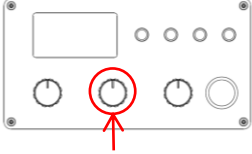
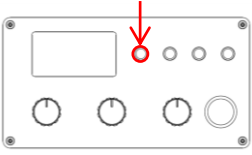
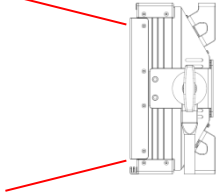
# Lumos Glow panel 400 Series

## ➤ Menu table [5/6]

Mode		Key		Explanation	
Effect	Light bar	⑨	Dimming knob rotation	10% Dimming (0~100%)	
			Dimming knob push	Black out	
		⑩	CCT/HUE knob rotation	Change color type - Red - Green - Blue - Red + Green - Red + Blue - Green + Blue - Red + White - Green + White - Blue + White - Red + Blue + White - Red + Green + Blue	
			CCT/HUE knob push		
		⑪	GN/Sat knob rotation		Change flash type - Single flash - Double flash - Triple flash - Triple all flash - Cycle
			GN/Sat knob push		
	Television	⑨	Dimming knob rotation	10% Dimming (0~100%)	
			Dimming knob push	Black out	
		⑩	CCT/HUE knob rotation	Change color type - Warmer [2800~4700K] - Neutral [4800~6500K] - Cooler [6600~10000K]	
			CCT/HUE knob push		
⑪		GN/Sat knob rotation	1 flash speed control (0~100%)		
		GN/Sat knob push	25 flash speed control (0~100%)		

# Lumos Glow panel 400 Series

## ➤ Menu table [6/6]

Mode	Key		Explanation
Low dimming setting	⑥	Up and Down button both push and hold 3 seconds	Scroll to Low dimming setting
	⑦		
	⑩	CCT/HUE knob rotation	Red / Green / Blue / White LED index control
	⑪	GN/Sat knob rotation	Change control color (R/G/B/W)
	⑤	Mode button	Setting low dimming and mode change
Description			
<p>Low dimming flicker or Dimming 0% → LED ON</p> 		<p>1) Flickering at low dimming range or Turning on in 0% dimming, pls control the Low Dimming set mode</p>	
	<div style="border: 1px solid black; padding: 5px;"> <p style="text-align: center;">Low Dim set</p> <p>R : 3016      G : 3064 B : 3028      W : 3123</p> </div>	<p>2) Up, down button both push and hold 3 seconds → Low dimming setting mode</p>	
	<div style="border: 1px solid black; padding: 5px;"> <p style="text-align: center;">Low Dim set</p> <p>R : 3016      G : 3064 B : 3028      W : 3123</p> </div>	<p>3) Select the abnormal color to rotate GN/Sat Knob (ex. R [Red] → G[Green])</p>	
	<div style="border: 1px solid black; padding: 5px;"> <p style="text-align: center;">Low Dim set</p> <p>R : 3016      G : 3054 B : 3028      W : 3123</p> </div>	<p>4) Rotate the CCT/HUE knob, to setup the color index at 10 points lower (ex. G[Green] 3064 → 3054)</p>	
	<div style="border: 1px solid black; padding: 5px;"> <p style="text-align: center;">CCT</p> <p>Dimming : 0.0% Kelvin : 3200K G/N : ±0.000 DMX CH. : 1 Control : Manual</p> </div>	<p>5) Press the Mode button</p>	
<p>Check to light</p> 		<p>6) Check the normal condition</p> <p>Pls repeat five or six times when it is still abnormal</p>	

## Protocol

### ➤ DMX Protocol

Dimming	Mode	Function	Use Channels
8 bit	Mode 1	CCT mode	5
	Mode 2	HSI mode	5
	Mode 3	RGBW mode	7
	Mode 4	CCT & RGBW mode	10
	Mode 5	CCT & HSI mode	8
	Mode 6	Gel mode	7
	Mode 7	Effect mode	9
16 bit	Mode 8	CCT mode	6
	Mode 9	HSI mode	6
	Mode 10	RGBW mode	8
	Mode 11	CCT & RGBW mode	11
	Mode 12	CCT & HSI mode	9
	Mode 13	Gel mode	8

### ➤ Overview of CCT values as DMX values

CCT value	DMX value	
	Value	Percent
2800 K	0~6	0~2
3200 K	17~20	7~8
4400 K	59~62	23~24
5600 K	101~104	40~41
6500 K	133~135	52~53
8000 K	185~188	73~74
10000 K	255	100

## Protocol

### ➤ Mode 1 : CCT mode [Dimming 8 bit] (5 Channels per function)

Channel	Value	Percent	Function
1	0~255	0~100	Dimming 0~100%
2	0~255	0~100	CCT 2800~10000K
3	0~19 20~40 41~119 120~147 148~244 245~255	0~7 8~15 16~46 47~57 58~95 96~100	Green-Magenta control ➤ No effect ➤ -0.030 (Full plus Magenta) ➤ -0.029 ~ -0.001 ➤ No effect ➤ +0.001 ~ +0.029 ➤ +0.030 (Full plus green)
4	0~65 66~129 130~193 194~255	0~25 26~50 51~75 76~100	Fan control ➤ Fan auto on (LED PCB Temp. 0~39°C fan off, 40~44°C fan half on, 45°C~ Fan all on) ➤ Fan all on (Dimming 0~50% fan off, 51~100% fan all on) ➤ Fan half on (Dimming 75% max. / 0~50% Fan off, 51~75% Fan half on) ➤ Fan off (Dimming 50% max.)
5	0~255	0~100	Preset (see preset table)

### ➤ Mode 2 : HSI mode [Dimming 8 bit] (5 Channels per function)

Channel	Value	Percent	Function
1	0~255	0~100	Dimming 0~100%
2	0~255	0~100	HUE 0~360°
3	0~255	0~100	Saturation 0~100%
4	0~65 66~129 130~193 194~255	0~25 26~50 51~75 76~100	Fan control ➤ Fan auto on (LED PCB Temp. 0~39°C fan off, 40~44°C fan half on, 45°C~ Fan all on) ➤ Fan all on (Dimming 0~50% fan off, 51~100% fan all on) ➤ Fan half on (Dimming 75% max. / 0~50% Fan off, 51~75% Fan half on) ➤ Fan off (Dimming 50% max.)
5	0~255	0~100	Preset (see preset table)

### ➤ Mode 3 : RGBW mode [Dimming 8 bit] (7 Channels per function)

Channel	Value	Percent	Function
1	0~255	0~100	Dimming 0~100%
2	0~255	0~100	Intensity Red 0~100%
3	0~255	0~100	Intensity Green 0~100%
4	0~255	0~100	Intensity Blue 0~100%
5	0~255	0~100	Intensity White 0~100%
6	0~65 66~129 130~193 194~255	0~25 26~50 51~75 76~100	Fan control ➤ Fan auto on (LED PCB Temp. 0~39°C fan off, 40~44°C fan half on, 45°C~ Fan all on) ➤ Fan all on (Dimming 0~50% fan off, 51~100% fan all on) ➤ Fan half on (Dimming 75% max. / 0~50% Fan off, 51~75% Fan half on) ➤ Fan off (Dimming 50% max.)
7	0~255	0~100	Preset (see preset table)

# Lumos Glow panel 400 Series

## ➤ Mode 4 : CCT & RGBW mode [Dimming 8 bit] (10 Channels per function)

Channel	Value	Percent	Function
1	0~255	0~100	Dimming 0~100%
2	0~255	0~100	CCT 2800~10000K
3	0~12 13~25 26~119 120~147 148~244 245~255	0~4 5~9 10~46 47~57 58~95 96~100	Green-Magenta control ➤ No effect ➤ -0.030 (Full plus Magenta) ➤ -0.029 ~ -0.001 ➤ No effect ➤ +0.001 ~ +0.029 ➤ +0.030 (Full plus green)
4	0~25 26~231 232~255	0~10 10~90 91~100	Change to mode ➤ CCT mode ➤ CCT mode + RGBW mode ➤ RGBW mode
5	0~255	0~100	Intensity Red 0~100%
6	0~255	0~100	Intensity Green 0~100%
7	0~255	0~100	Intensity Blue 0~100%
8	0~255	0~100	Intensity White 0~100%
9	0~65 66~129 130~193 194~255	0~25 26~50 51~75 76~100	Fan control ➤ Fan auto on (LED PCB Temp. 0~39°C fan off, 40~44°C fan half on, 45°C~ Fan all on) ➤ Fan all on (Dimming 0~50% fan off, 51~100% fan all on) ➤ Fan half on (Dimming 75% max. / 0~50% Fan off, 51~75% Fan half on) ➤ Fan off (Dimming 50% max.)
10	0~255	0~100	Preset (see preset table)

## ➤ Mode 5 : CCT & HSI mode [Dimming 8 bit] (8 Channels per function)

Channel	Value	Percent	Function
1	0~255	0~100	Dimming 0~100%
2	0~255	0~100	CCT 2800~10000K
3	0~12 13~25 26~119 120~147 148~244 245~255	0~4 5~9 10~46 47~57 58~95 96~100	Green-Magenta control ➤ No effect ➤ -0.030 (Full plus Magenta) ➤ -0.029 ~ -0.001 ➤ No effect ➤ +0.001 ~ +0.029 ➤ +0.030 (Full plus green)
4	0~25 26~231 232~255	0~10 10~90 91~100	Change to mode ➤ CCT mode ➤ CCT mode + HSI mode ➤ HSI mode
5	0~255	0~100	HUE 0~360°
6	0~255	0~100	Saturation 0~100%
7	0~65 66~129 130~193 194~255	0~25 26~50 51~75 76~100	Fan control ➤ Fan auto on (LED PCB Temp. 0~39°C fan off, 40~44°C fan half on, 45°C~ Fan all on) ➤ Fan all on (Dimming 0~50% fan off, 51~100% fan all on) ➤ Fan half on (Dimming 75% max. / 0~50% Fan off, 51~75% Fan half on) ➤ Fan off (Dimming 50% max.)
8	0~255	0~100	Preset (see preset table)

# Lumos Glow panel 400 Series

## ➤ Mode 6 : Gel mode [Dimming 8 bit] (7 Channels per function)

Channel	Vlaue	Percent	Function
1	0~255	0~100	Dimming 0~100%
2	0~129 130~255	0~50 51~100	CCT select ➤ 3200K ➤ 5600K
3	0~27 28~129 130~255	0~10 11~50 51~100	GEL Brand ➤ No gel ➤ Rosco ➤ LEE filters
4	0~53 54~255	0~20 21~100	Category select ➤ Rosco : Color correction ➤ LEE Filters : Color correction ➤ Rosco : Cinelux ➤ LEE Filters : Color Filters
5	0~255	0~100	Gel select (see Gel table)
6	0~65 66~129 130~193 194~255	0~25 26~50 51~75 76~100	Fan control ➤ Fan auto on (LED PCB Temp. 0~39°C fan off, 40~44°C fan half on, 45°C~ Fan all on) ➤ Fan all on (Dimming 0~50% fan off, 51~100% fan all on) ➤ Fan half on (Dimming 75% max. / 0~50% Fan off, 51~75% Fan half on) ➤ Fan off (Dimming 50% max.)
7	0~255	0~100	Preset (see preset table)

## ➤ Mode 7 : Effect mode [Dimming 8 bit] (9 Channels per function)

Channel	Vlaue	Percent	Function
1	0~255	0~100	Dimming 0~100%
2	0~12 13~19 20~30 31~40 41~50 51~255	0~4 5~7 8~11 12~15 16~19 20~100	Effect select ➤ No effect ➤ Color chase ➤ Strobe ➤ Light bar ➤ Television ➤ Reserved for upgrade firmware
3	0~255	0~100	Effect parameter 1 (see effect parameter table)
4	0~255	0~100	Effect parameter 2 (see effect parameter table)
5	0~255	0~100	Effect parameter 3 (see effect parameter table)
6	0~255	0~100	Effect parameter 4 (see effect parameter table)
7	0~255	0~100	Effect parameter 5 (see effect parameter table)
8	0~65 66~129 130~193 194~255	0~25 26~50 51~75 76~100	Fan control ➤ Fan auto on (LED PCB Temp. 0~39°C fan off, 40~44°C fan half on, 45°C~ Fan all on) ➤ Fan all on (Dimming 0~50% fan off, 51~100% fan all on) ➤ Fan half on (Dimming 75% max. / 0~50% Fan off, 51~75% Fan half on) ➤ Fan off (Dimming 50% max.)
9	0~255	0~100	Preset (see preset table)



# Lumos Glow panel 400 Series

## ➤ Mode 8 : CCT mode [Dimming 16 bit] (6 Channels per function)

Channel	Value	Percent	Function
1	0~255	0~100	Dimming 0~100%
2			
3	0~255	0~100	CCT 2800~10000K
4	0~19 20~40 41~119 120~147 148~244 245~255	0~7 8~15 16~46 47~57 58~95 96~100	Green-Magenta control ➤ No effect ➤ -0.030 (Full plus Magenta) ➤ -0.029 ~ -0.001 ➤ No effect ➤ +0.001 ~ +0.029 ➤ +0.030 (Full plus green)
5	0~65 66~129 130~193 194~255	0~25 26~50 51~75 76~100	Fan control ➤ Fan auto on (LED PCB Temp. 0~39°C fan off, 40~44°C fan half on, 45°C~ Fan all on) ➤ Fan all on (Dimming 0~50% fan off, 51~100% fan all on) ➤ Fan half on (Dimming 75% max. / 0~50% Fan off, 51~75% Fan half on) ➤ Fan off (Dimming 50% max.)
6	0~255	0~100	Preset (see preset table)

## ➤ Mode 9 : HSI mode [Dimming 16 bit] (6 Channels per function)

Channel	Value	Percent	Function
1	0~255	0~100	Dimming 0~100%
2			
3	0~255	0~100	HUE 0~360°
4	0~255	0~100	Saturation 0~100%
5	0~65 66~129 130~193 194~255	0~25 26~50 51~75 76~100	Fan control ➤ Fan auto on (LED PCB Temp. 0~39°C fan off, 40~44°C fan half on, 45°C~ Fan all on) ➤ Fan all on (Dimming 0~50% fan off, 51~100% fan all on) ➤ Fan half on (Dimming 75% max. / 0~50% Fan off, 51~75% Fan half on) ➤ Fan off (Dimming 50% max.)
6	0~255	0~100	Preset (see preset table)

## ➤ Mode 10 : RGBW mode [Dimming 16 bit] (8 Channels per function)

Channel	Value	Percent	Function
1	0~255	0~100	Dimming 0~100%
2			
3	0~255	0~100	Intensity Red 0~100%
4	0~255	0~100	Intensity Green 0~100%
5	0~255	0~100	Intensity Blue 0~100%
6	0~255	0~100	Intensity White 0~100%
7	0~65 66~129 130~193 194~255	0~25 26~50 51~75 76~100	Fan control ➤ Fan auto on (LED PCB Temp. 0~39°C fan off, 40~44°C fan half on, 45°C~ Fan all on) ➤ Fan all on (Dimming 0~50% fan off, 51~100% fan all on) ➤ Fan half on (Dimming 75% max. / 0~50% Fan off, 51~75% Fan half on) ➤ Fan off (Dimming 50% max.)
8	0~255	0~100	Preset (see preset table)

# Lumos Glow panel 400 Series

## ➤ Mode 11 : CCT & RGBW mode [Dimming 16 bit] (11 Channels per function)

Channel	Value	Percent	Function
1	0~255	0~100	Dimming 0~100%
2			
3	0~255	0~100	CCT 2800~10000K
4	0~12 13~25 26~119 120~147 148~244 245~255	0~4 5~9 10~46 47~57 58~95 96~100	Green-Magenta control <ul style="list-style-type: none"> <li>➤ No effect</li> <li>➤ -0.030 (Full plus Magenta)</li> <li>➤ -0.029 ~ -0.001</li> <li>➤ No effect</li> <li>➤ +0.001 ~ +0.029</li> <li>➤ +0.030 (Full plus green)</li> </ul>
5	0~25 26~231 232~255	0~10 10~90 91~100	Change to mode <ul style="list-style-type: none"> <li>➤ CCT mode</li> <li>➤ CCT mode + RGBW mode</li> <li>➤ RGBW mode</li> </ul>
6	0~255	0~100	Intensity Red 0~100%
7	0~255	0~100	Intensity Green 0~100%
8	0~255	0~100	Intensity Blue 0~100%
9	0~255	0~100	Intensity White 0~100%
10	0~65 66~129 130~193 194~255	0~25 26~50 51~75 76~100	Fan control <ul style="list-style-type: none"> <li>➤ Fan auto on (LED PCB Temp. 0~39°C fan off, 40~44°C fan half on, 45°C~ Fan all on)</li> <li>➤ Fan all on (Dimming 0~50% fan off, 51~100% fan all on)</li> <li>➤ Fan half on (Dimming 75% max. / 0~50% Fan off, 51~75% Fan half on)</li> <li>➤ Fan off (Dimming 50% max.)</li> </ul>
11	0~255	0~100	Preset (see preset table)

# Lumos Glow panel 400 Series

## ➤ Mode 12 : CCT & HSI mode [Dimming 16 bit] (9 Channels per function)

Channel	Value	Percent	Function
1	0~255	0~100	Dimming 0~100%
2			
3	0~255	0~100	CCT 2800~10000K
4	0~12 13~25 26~119 120~147 148~244 245~255	0~4 5~9 10~46 47~57 58~95 96~100	Green-Magenta control ➤ No effect ➤ -0.030 (Full plus Magenta) ➤ -0.029 ~ -0.001 ➤ No effect ➤ +0.001 ~ +0.029 ➤ +0.030 (Full plus green)
5	0~25 26~231 232~255	0~10 10~90 91~100	Change to mode ➤ CCT mode ➤ CCT mode + HSI mode ➤ HSI mode
6	0~255	0~100	HUE 0~360°
7	0~255	0~100	Saturation 0~100%
8	0~65 66~129 130~193 194~255	0~25 26~50 51~75 76~100	Fan control ➤ Fan auto on (LED PCB Temp. 0~39°C fan off, 40~44°C fan half on, 45°C~ Fan all on) ➤ Fan all on (Dimming 0~50% fan off, 51~100% fan all on) ➤ Fan half on (Dimming 75% max. / 0~50% Fan off, 51~75% Fan half on) ➤ Fan off (Dimming 50% max.)
9	0~255	0~100	Preset (see preset table)

## ➤ Mode 13 : Gel mode [Dimming 16 bit] (8 Channels per function)

Channel	Vlaue	Percent	Function
1	0~255	0~100	Dimming 0~100%
2			
3	0~129 130~255	0~50 51~100	CCT select ➤ 3200K ➤ 5600K
4	0~27 28~129 130~255	0~10 11~50 51~100	GEL Brand ➤ No gel ➤ Rosco ➤ LEE filters
5	0~53 54~255	0~20 21~100	Category select ➤ Rosco : Color correction ➤ LEE Filters : Color correction ➤ Rosco : Cinelux ➤ LEE Filters : Color Filters
6	0~255	0~100	Gel select (see Gel table)
7	0~65 66~129 130~193 194~255	0~25 26~50 51~75 76~100	Fan control ➤ Fan auto on (LED PCB Temp. 0~39°C fan off, 40~44°C fan half on, 45°C~ Fan all on) ➤ Fan all on (Dimming 0~50% fan off, 51~100% fan all on) ➤ Fan half on (Dimming 75% max. / 0~50% Fan off, 51~75% Fan half on) ➤ Fan off (Dimming 50% max.)
8	0~255	0~100	Preset (see preset table)

# Lumos Glow panel 400 Series

## ➤ Effect parameter table

Effect name	Effect parameter	Value	Percent	Function
Color chase	1	0~255	0~100	Speed control
	2	0~255	0~100	Saturation 0~100%
Strobe	1	0~255	0~100	CCT 2800K~10000K
	2	0~255	0~100	Speed Flashes control (0% / 25% / 50% / 75% / 100% )
Light bar	1	0~2 3~27 28~53 54~78 79~107 108~129 130~155 156~180 181~206 207~231 232~255	0 1~10 11~20 21~30 31~40 41~50 51~60 61~70 71~80 81~90 91~100	Color change ➤ Red ➤ Green ➤ Blue ➤ Red + Green ➤ Red + Blue ➤ Green + Blue ➤ Red + White ➤ Green + White ➤ Blue + White ➤ Red + Blue + White ➤ Red + Green + Blue
	2	0~53 54~104 105~155 156~206 207~255	0~20 21~40 41~60 61~80 81~100	Flash type Single flash Double flash Triple flash Triple all flash Cycle
Television	1	0~86 87~172 173~255	0-33 34-67 68-100	Change CCT range ➤ Warmer (2800-4700K) ➤ Neutral (4800-6500K) ➤ Cooler (6600-10000K)
	2	0~255	0~100	Speed Flashes control Speed 0~100% (4 -> 24 changes/min)

## ➤ Preset table

Value	Percent	Function
0~12	0~5	➤ No effect
13~27	6~10	➤ Preset 0
28~53	11~20	➤ Preset 1
54~78	21~30	➤ Preset 2
79~104	31~40	➤ Preset 3
105~129	41~50	➤ Preset 4
130~155	51~60	➤ Preset 5
156~180	61~70	➤ Preset 6
181~206	71~80	➤ Preset 7
207~231	81~90	➤ Preset 8
232~255	91~100	➤ Preset 9

# Lumos Glow panel 400 Series

## ➤ Gel table (Rosco) [1/3]

Category	Value	Percent	Gel name	Gel number
Color Correction (12)	0~14	0~5	Full CTB	3202
	15~27	6~10	1/2 CTB	3204
	28~40	11~15	1/4 CTB	3208
	41~53	16~20	Full CTO	3407
	54~65	21~25	1/2 CTO	3408
	66~78	26~30	1/4 CTO	3409
	79~81	31~35	Full Plusgreen	3304
	92~104	36~40	1/2 Plusgreen	3315
	105~116	41~45	1/4 Plusgreen	3316
	117~129	46~50	Full Minusgreen	3308
	130~144	51~55	1/2 Minusgreen	3313
	145~155	56~60	1/4 Minusgreen	3314
156~255	61~100	Reserved		
Cinelux (14)	0~14	0~5	Bastard Amber	2
	15~27	6~10	Straw	12
	28~40	11~15	Light Amber	16
	41~53	16~20	Golden Amber	21
	54~65	21~25	Light Red	26
	66~78	26~30	No Color Pink	33
	79~81	31~35	Middle Rose	44
	92~104	36~40	Light Rose Purple	47
	105~116	41~45	Surprise Pink	51
	117~129	46~50	No color Blue	60
	130~142	51~55	Daylight Blue	65
	143~155	56~60	Primary Blue	80
	156~167	61~65	Moss Green	89
	168~180	66~70	Blue Green	93
181~255	71~100	Reserved		

# Lumos Glow panel 400 Series

## ➤ Gel table (LEE filters) [2/3]

Category	Value	Percent	Gel name	Gel number
Color Correction (11)	0~14	0~5	Full CTB	201
	15~27	6~10	1/2 CTB	204
	28~40	11~15	Full CTO	204
	41~53	16~20	1/2 CTO	205
	54~65	21~25	Full CTS	441
	66~78	26~30	LEE Plus Green	244
	79~81	31~35	1/2 Plus Green	245
	92~104	36~40	1/4 Plus Green	246
	105~116	41~45	LEE Minus Green	247
	117~129	46~50	1/2 Minus Green	248
	130~142	51~55	1/4 Minus Green	249
143~255	56~100	Reserved		

# Lumos Glow panel 400 Series

## ➤ Gel table (LEE filters) [3/3]

Category	Value	Percent	Gel name	Gel number
Color Filters (30)	0~7	0~2	Pale Yellow	7
	8~14	3~5	Fire	19
	15~22	6~8	Medium Amber	20
	23~30	9~11	Dark Amber	22
	31~27	12~14	Scarlet	24
	38~45	15~17	Sunset Red	25
	46~53	18~20	Bright Red	26
	54~60	21~23	Light Pink	35
	61~68	24~26	Dark Magenta	46
	69~76	27~29	Lavender	58
	77~83	30~32	Sky Blue	68
	84~91	33~35	Just Blue	79
	92~98	36~38	Deeper Blue	85
	99~106	39~41	Lime Green	88
	107~114	42~44	Dark Yellow Green	90
	115~121	45~47	Yellow	101
	122~129	48~50	Light Amber	102
	130~137	51~53	Deep Amber	104
	138~144	54~56	English Rose	108
	145~152	57~59	Dark Pink	111
	153~160	60~62	Magenta	113
	161~187	63~65	Light Blue	118
	168~175	66~68	Deep Blue	120
	176~183	69~71	Dark Green	124
	184~190	72~74	Golden Amber	134
	191~198	75~77	Special Lavender	137
	199~206	78~80	Deep Lavender	170
	207~213	81~83	Dark Lavender	180
	214~221	84~86	Light Red	182
	222~229	87~89	True Blue	196
230~255	90~100	Reserved		

The Natural LED Lighting

Lumos®

DMLite Co., Ltd.

#501, 26, Yangcheon-ro 57-gil, Gangseo-gu, Seoul 07526, Korea

Tel +82 2 540 0984 / Fax +82 2 6003 0094

Sales@dmlite.co.kr

Lumos®