

Lumos-500CL Series

Product Overview

Optical Characteristics

High CRI: 97Ra(Max)@3200K, 95Ra(Max)@5600K

Correlated Color Temperature(CCT): 3200K or 5600K

Features

Flicker Free

Flicker-free performance

DMX

DMX 512 channel module, allowing for remote adjustment of dimming

Dimming Control

Smooth digital dimming technology from 100% to 0.

Casing information

Material: Metal.

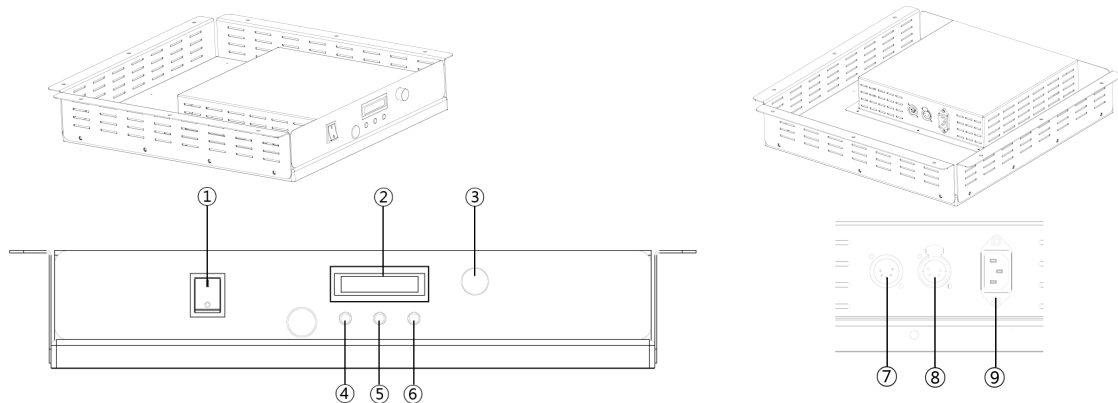
Advanced Heat Managing Technology:

The patented technology to improve air flow to cool down the heat created inside the product.

Power Requirement

Input Voltage: AC 200~240V, 50~60Hz

Rear Panel Controls



	Part names	Functions
①	Power ON/OFF	Turning the power On/Off
②	LCD Display	Displaying the Kelvin / Dimming & DMX Channel status
③	Dimming Knob	Controlling the dimming
④	Mode Key	Change DMX address, LCD Back Light On/Off
⑤	Up Key	Dimming up (each 25%) / mode scroll up (depending on the mode)
⑥	Down Key	Dimming down (each 25%) / mode scroll down (depending on the mode)
⑦	DMX Input	Input for DMX controller
⑧	DMX Output	Output for DMX controller
⑨	Power cable Input	200 ~ 240V AC Power cable Input

Product sizes and Technical specifications

Product sizes

1. **Size of light body:** 19.7 X 19.7 X 13.4 (Inch) / 500 X 500 X 86(mm)

2. **Weight without accessories:** 8 Kg (17.63 lbs)

Technical specifications

1. **Power Consumption:** 100W

2. **Power Input:** AC 200~240V, 50~60Hz

3. **Photometrics:** 3200K - 2,300 Lux@1m
5600K - 2,500 Lux@1m

4. **CRI:** 97Ra @3200K
95Ra @5600K

5. **CCT:** 3200K or 5600K

6. **Dimming / DMX:** Digital / DMX controlling up to 512 channels

7. **Operating Temp:** 0°C~40°C