

Lumos Hawk 400F

➤ Onv dçqt k` r Rt rñkf gs

- 3KW Tungsten output
- Hybrid cooling system
- CRI 97 Ra at 3200K / 95 Ra at 5600K
- 15°~50° Beam angle
- Flicker free
- Stable dimming (0~100%)
- Standard DMX 512 / RDM
- COB lifetime : 50,000 hours

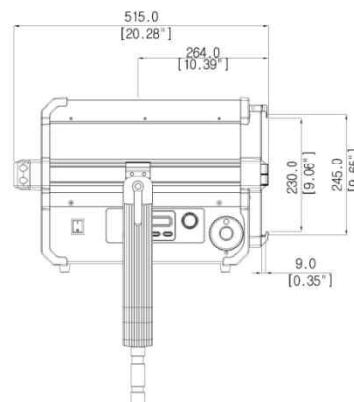
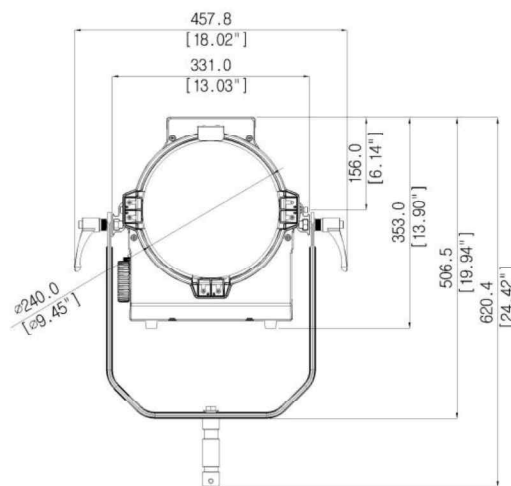


➤ Ognsnl dsqjb hñndç ` sñmne Kt I nr G` v j 3 / E

CCT	Beam angle	4 ft	8 ft	12 ft	16 ft	20 ft	1m	2m	3m	4m	5m
3200K	Spot (15°)	16,312 fc	4078.1 fc	1,812.5 fc	1,019.5 fc	652.5 fc	217,500 lux	65,250 lux	29,000 lux	16,313 lux	10,440 lux
	Flood (50°)	1,687 fc	421.9 fc	187.5 fc	105 fc	67.5 fc	22,500 lux	6,750 lux	3,000 lux	1,688 lux	1,080 lux
5600K	Spot (15°)	16,874 fc	4218.7 fc	1,875 fc	1,054.7 fc	675.0 fc	225,000 lux	67,500 lux	30,000 lux	16,875 lux	10,800 lux
	Flood (50°)	1,743 fc	435.9 fc	193.7 fc	109 fc	69.7 fc	23,250 lux	6,975 lux	3,100 lux	1,744 lux	1,116 lux

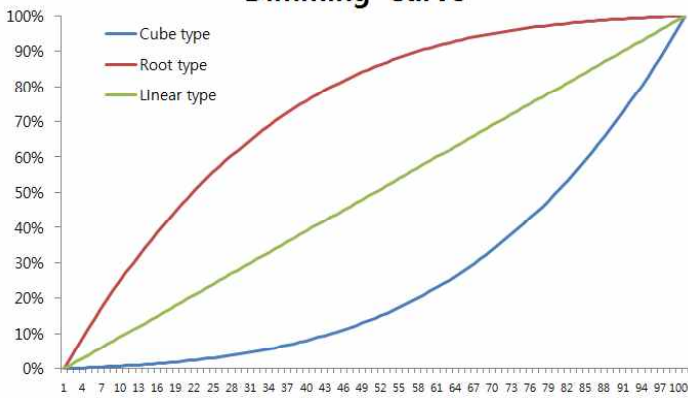
➤ Kt I nr G` v j 3 / E Rodbleb` sñmr

Power Consumption	400W Nominal / 450W Maximum	
Size	W331 * H353 * L515 (mm) W13.03 * H13.90 * L20.28 (inch)	
Weight	15.0 kg / 33 lb	
Color Temperature	3200K or 5600K	
E Characteristics	AC 100~240V / 50~60Hz	
Dimming	0~100%	
Control	Manual / DMX 512 / RDM	
Flicker	Flicker free	
Fresnel lens	240mm (9.45") PMMA Fresnel lens	
Beam angle	15° ~ 50°	
Cooling system	Hybrid cooling system (fan)	
Operating Temp.	0°C ~ 45°C	
Accessory	<ul style="list-style-type: none"> • 4-leaf barndoor • Pole operated yoke (Panning / Tilting / Beam angle) • Diffusing filter 	
Color temperature	3200K	5600K
CCT Tolerance	±150K	±150K
CRI	97 Ra	95 Ra



Lumos Hawk 400MK

➤ L ncd

Mode	Function																		
Dimming	<ul style="list-style-type: none"> Stable Dimming (0~100%) Enable to customize the dimming step as each 1% or 4~5% 																		
CCT (MK Type only)	<ul style="list-style-type: none"> 2800~6500K (each 100K) <table border="1" data-bbox="976 430 1422 700"> <thead> <tr> <th colspan="3">CL WBBS Bnnsqku' k d</th> </tr> <tr> <th>CCT</th> <th>0~100%</th> <th>0~255</th> </tr> </thead> <tbody> <tr> <td>2800K</td> <td>0 %</td> <td>0</td> </tr> <tr> <td>3200K</td> <td>11~13 %</td> <td>28~34</td> </tr> <tr> <td>5600K</td> <td>77~79 %</td> <td>196~202</td> </tr> <tr> <td>6500K</td> <td>100 %</td> <td>255</td> </tr> </tbody> </table>	CL WBBS Bnnsqku' k d			CCT	0~100%	0~255	2800K	0 %	0	3200K	11~13 %	28~34	5600K	77~79 %	196~202	6500K	100 %	255
CL WBBS Bnnsqku' k d																			
CCT	0~100%	0~255																	
2800K	0 %	0																	
3200K	11~13 %	28~34																	
5600K	77~79 %	196~202																	
6500K	100 %	255																	
DMX Address	<ul style="list-style-type: none"> Change DMX address (1~512) Standard DMX 512 MK type DMX mode using 2 Channel (Ch. 1 – Dimming / Ch.2 – CCT) Compatibility with various DMX Controllers Firmware available for most DMX Controllers 																		
LCD Back Light	<ul style="list-style-type: none"> On Off after 10 sec. 																		
RDM State	<ul style="list-style-type: none"> On Off 																		
Dimming curve	<ul style="list-style-type: none"> Customized dimming steps are available 3-way Dimming curve select to mode button ➤ Linear type : Normal increase of lighting intensity ➤ Cube type : Detailed control in Low dimming area (0~50%) ➤ Root type : Detailed control in high dimming area (50~100%) <p style="text-align: center;">Dimming Curve</p> 																		
Dimming Speed	<ul style="list-style-type: none"> Very fast Fast Medium Slow 																		

Lumos Hawk 400 series

➤ cdbladkl d`rt opl dmsr ne Kl I nr G`vj 3//E

Model	1m	2m	3m
Lumos Hawk 400 : 400W	28 dB	24 dB	22 dB

Gxaqtc bnnknf rxrsdl

The patented technology to improve air flow to cool down the heat created inside the product.

Usually the convection heat mode is at low dimming stage.

However fan will be turned on at certain dimming stage as below.

- Hawk 400 : Cube 86~100%, Linear 61~100%, Root 28~100%

➤ Ognsnl dsqfb hmqd `shmne Kl I nr G`vj 3//rdqdr

L ncdk	Ad I `mf ld		0l	1l	2l	3l	4l	
Lumos Hawk 400F 400W	Spot (15°)	Illumination	3200K	217,500 lux	65,250 lux	29,000 lux	16,313 lux	10,440 lux
			5600K	225,000 lux	67,500 lux	30,000 lux	16,875 lux	10,800 lux
		Beam diameter		0.50 m	0.77 m	1.03 m	1.29 m	1.56 m
	Flood (50°)	Illumination	3200K	22,500 lux	6,750 lux	3,000 lux	1,688 lux	1,080 lux
			5600K	23,250 lux	6,975 lux	3,100 lux	1,744 lux	1,116 lux
		Beam diameter		1.17 m	2.10 m	3.04 m	3.97 m	4.90 m
Lumos Hawk 400MK 400W	Spot (15°)	Illumination	3200K	90,045 lux	27,013 lux	12,006 lux	6,753 lux	4,322 lux
			5600K	112,240 lux	33,672 lux	14,965 lux	8,418 lux	5,387 lux
		Beam diameter		0.50 m	0.77 m	1.03 m	1.29 m	1.56 m
	Flood (50°)	Illumination	3200K	16,200 lux	4,860 lux	2,160 lux	1,215 lux	777 lux
			5600K	21,080 lux	6,324 lux	2,810 lux	1,581 lux	1,011 lux
		Beam diameter		1.17 m	2.10 m	3.04 m	3.97 m	4.90 m

Lumos Hawk 400 series with Pole operating system

➤ Kt I nr G` v j 3 / / v lsg Onkd nodq` sdc xnj d` mc Enbt r Onkd bnmsqk

Size	W407.0 * H646.6 * L515.0 (mm) / W16.02 * H25.46 * L20.28 (inch)
------	---

