

Beyond your expectations [®]

Lumos



CONTENTS

Lumos와 함께한 촬영현장	01
Lumos 의 기술력	02
Lumos Glow Panel Series	04
Lumos Hawk Series	08
Lumos GT Series	20
Lumos Color Rol Series	30
Lumos CL Series	33

Lumos와 함께한 촬영현장



방송

한국, 홍콩, 태국, 미국의 방송사들은 그들의 뉴스 스튜디오와 TV 쇼를 위해 Lumos LED 조명을 선택했습니다.



영화

Lumos는 영화제작에서 강한 입지를 구축하고 있으며, 촬영자 및 영화관계자들은 Lumos 제품을 추천합니다.



가상스튜디오

Lumos LED 조명은 정확한 색온도와 높은 CRI값 구현으로 가상 스튜디오 및 모션 캡처에 탁월합니다



TV스튜디오

Lumos LED 조명은 스튜디오 환경에 맞춰 효과적인 방송 송출에 기여합니다.



대학교 교내 스튜디오

고려대학교 외 20개 이상의 대학교 스튜디오에 Lumos LED조명이 사용되고 있습니다.



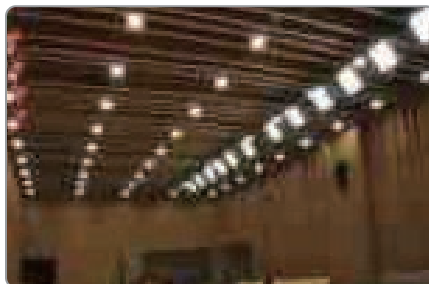
명동성당 대성당

Lumos LED조명으로 보다 따뜻하고 미사에 집중할 수 있도록 연출하였습니다.



Live 스튜디오

빈틈없이 균일한 조도로 쾌적하고 수월한 촬영현장이 되도록 합니다.



라디오스튜디오

많은 스튜디오에서 Lumos조명의 설치의 만족을 표하고 있습니다.



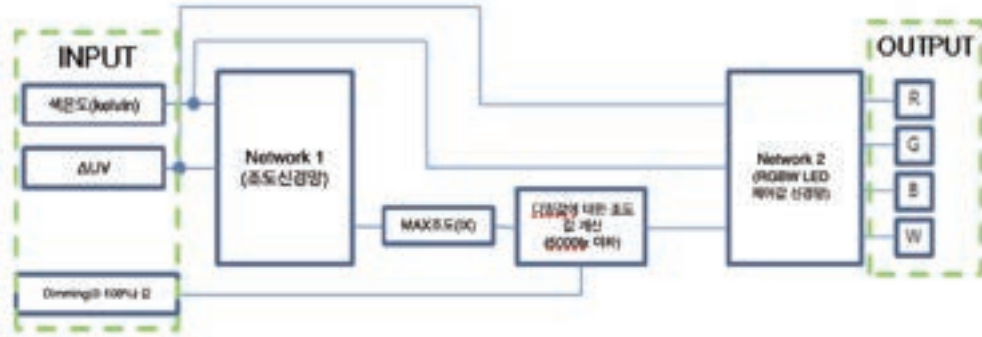
야외촬영

휴대성이 높은 Lumos 조명은 야외촬영 또는 인터뷰 설정에 이상적입니다.

Lumos의 기술력

DNN(Deep Neural Network)을 접목시킨 RGBW 조명

DNN은 생물의 뇌 신경세포들의 연결 관계를 단순한 수학적 관계식으로 구현하여 인간의 지적 능력을 수학적인 함수로 표현하고자 하는 시스템입니다. 기존 RGBW조명의 광 측정 및 RGBW제어 값을 사람이 수동으로 측정하고 색 온도와 ΔUV, CRI, 조도 등을 기준에 맞추어 적용시켜 다소 색 구현이 정밀하지 못했으나, DNN적용으로 인해 측정부터 결과값의 제품 적용까지 사람이 직접 움직이지 않아도 되고, 보다 정밀하고 정확한 색 구현 및 해당 색의 HIGH CRI에 대한 값을 함수로 구현하여 정확한 값을 얻어낼 수 있습니다.



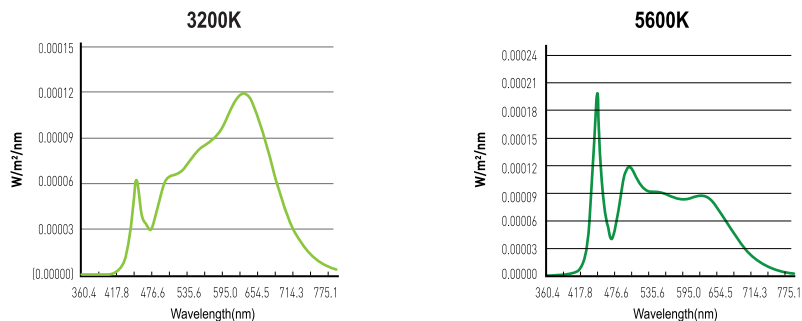
- Network1(조도신경망)을 통해 색온도(Kelvin), ΔUV별 최대 조도값을 출력하고, 출력된 최대 조도값을 Dimming 비율로 줄인 조도값(Ix)으로 출력합니다
- 색온도(Kelvin), ΔUV, 조도값(Ix)을 Network2(RGBW LED 제어신경망)의 입력으로 사용하고, Network2는 RGBW LED 제어값을 출력합니다.

CRI (Color Rendering Index)

CRI는 특정 광원에 의해 조명이 비추질 때 물체의 색이 얼마나 "자연적"으로 나타나는지를 나타내는 일반적인 지표입니다. 일반적으로 CRI 값은 1번부터 8번까지의 평균값으로 나타내고, 9번부터 15번까지는 제외하지만, Lumos LED 조명은 모든 값을 포함합니다. 대부분의 LED 조명은 R9(Strong Red) 및 R12(Strong Blue)에서 매우 낮은 값을 가집니다. Lumos LED 조명은 R9과 R12에서 다른 조명과 달리 90 이상입니다.

NO.	CRI															Average
	No.1	No.2	No.3	No.4	No.5	No.6	No.7	No.8	No.9	No.10	No.11	No.12	No.13	No.14	No.15	
	Light Greyish Red	Dark Greyish Yellow	Strong Yellow Green	Moderate Yellowish Green	Light Bluish Green	Light Blue	Light Violet	Light Reddish Purple	Strong Red	Strong Yellow	Strong Green	Strong Blue	Light Yellowish Pink	Moderate Olive Green	Asian Skin	
	R1	R2	R3	R4	R5	R6	R7	R8	R9	R10	R11	R12	R13	R14	R15	
Halogen	98.4	99.1	99.9	98.6	98.5	98.9	99.4	98.1	95.8	98.3	98.6	98.0	98.6	99.9	99.9	99
Lumos 3200K	98.9	98.8	98.3	98.7	98.5	98.7	97.8	95.4	91.0	97.8	97.9	90.5	98.7	98.5	96.4	98
Lumos 5600K	97.8	98.5	97.4	91.1	95.2	98.3	95.4	95.2	93.6	97.2	90.1	95.2	98.0	98.7	98.7	97

색온도별 스펙트럼 그래프



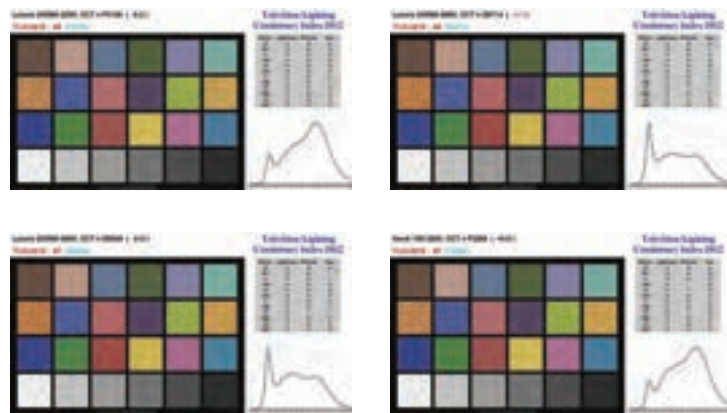
TLCI (Television Lighting Consistency Index)

2012년 유럽 방송 연합(EBU)은 LED 조명을 사용하여 촬영한 피사체를 TV 카메라와 디스플레이를 통해 구현된 색채 품질을 평가하여 수치로 표현하는 방식 Television Lighting Consistency Index(TLCI) 이라는 새로운 시스템을 고안했습니다. TLCI는 CRI 처럼 직접 조명의 성능을 평가하는 대신 TLCI 카메라 및 디스플레이에서 구현하고자 하는 색상(색상 외곽 부)과 조명을 사용하여 촬영된 상태의 표현된 색상(색상 중심 부)을 비교, 표현하고 일치 정도를 치수로 표현. TLCI의 최대값은 "100"이며, 수치가 낮을수록 카메라 및 디스플레이상으로 기존 색상과 다르게 표현됩니다.

CRI 등급이 높은 조명 장비는 상관 색 온도가 정확하지 않아 TLCI가 낮을 수 있습니다. Lumos LED는 3200K에서 99, 5600K에서 97의 TLCI 측정을 달성했습니다. 또한, Lumos LED조명은 3200K ± 100K / 5600K ± 150K의 정확한 색 온도(CCT)를 통해 더욱 우수성을 입증합니다.

■ Highest TLCI - 99 at 3200K / 97 at 5600K

Model	CCT	TLCI
Lumos-300MK	3200K	99
	5600K	96
Lumos-500MK	3200K	98
	5600K	97
Lumos Hawk150	3200K	97



Lumos의 열관리 기술

DMLite는 회사가 설립된 이후 최고의 LED 조명을 생산하기 위해 많은 시간과 에너지를 R&D에 투자했습니다. 조명사용에 있어 방열에 대한 문제를 우선적으로 다루었고, 방열성에 대한 특허(제 10-1012820호)를 등록하였습니다. 그 기술력 바탕으로 개발된 제품중 Panel형 모델 및 Spot형 일부 모델은 팬이 없어 소리가 나지 않아 촬영 시 잡음이 들어가지 않습니다.

하드웨어의 신뢰성

Lumos LED 조명은 디지털 회로 기술로 설계되었으며 Flicker(떨림현상)이 없습니다. 조도 및 색온도 편차가 최소화되어 기존 할로겐 조명에 비해 성능이 우수합니다. Lumos LED 조명은 안전 회로 설계로 긴 촬영 시간이 필요한 현장 혹은 휴대용(현장) 용도로 사용할 수 있습니다.

엄격한 품질관리

Lumos는 품질과 환경 테스트를 통한 완벽한 생산을 위해 끊임없이 노력하고 있습니다.



Lumos Glow Panel 400C



❑ Ideal for the Location, Commercial and Entertainment

- Equivalent of 2500W Tungsten
- Full Color RGBW LED
- CRI 95Ra at 2800~10000K
- All Metal Body
- Hybrid Cooling System
- Flicker Free
- Stable Dimming (0~100%)
- Standard DMX 512 / RDM
- Useful 10 Presets
- Easy Operation
- LED Lifetime : 50,000 hours

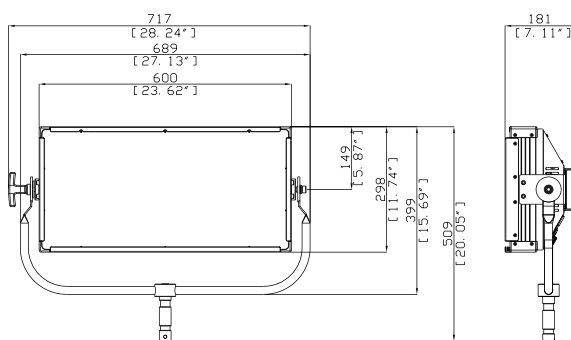


❑ Photometric Information of Lumos Glow Panel 400C

CCT	4 ft	8 ft	12 ft	16 ft	20 ft	1m	2m	3m	4m	5m
3200K	795.0 Fc	198.7 Fc	88.3 Fc	49.7 Fc	31.8 Fc	12,000 lux	3,180 lux	1,413 lux	795 lux	509 lux
5600K	761.9 Fc	190.5 Fc	84.7 Fc	47.6 Fc	30.5 Fc	11,500 lux	3,048 lux	1,354 lux	762 lux	488 lux

❑ Lumos Glow Panel 400C Specifications

Power Consumption	400W Nominal / 450W Maximum	
Size	W600 x H298 x L181 (mm) / W23.6 x H11.7 x L7.1 (inch)	
Weight	12.4 Kg / 27.3 lb	
Color Temperature	2800~10000K / Green-Magenta Adjustable	
HUE	Full RGB / White Color. Saturation Control	
E.Characteristics	AC 100~240V / 50~60Hz	
Dimming	0 ~ 100%	
Control	Manual / DMX512 / RDM	
Software Update	USB	
Flicker	Flicker Free	
Cooling System	Hybrid Cooling System	
Operation Temp.	0°C ~ 45°C	
Accessory	<ul style="list-style-type: none"> • 4-Leaf Barndoor • Pole Operated Yoke (Panning / Tilting) • Diffusing Filter • Snap Bag • Snap Grid • Diffusing filter 	
Color Temperature	3200K	5600K
CCT Tolerance	±150K	±150K
CRI	96 Ra	95 Ra

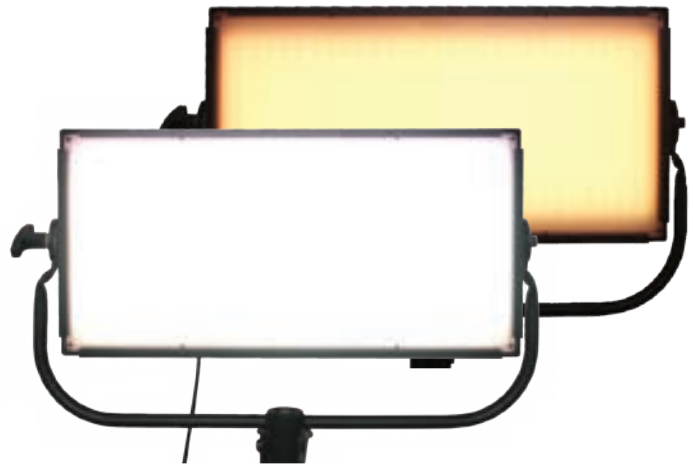




Lumos Glow Panel 400F

❑ Suitable for the High Ceiling Studio

- Equivalent of 2500W Tungsten
- CRI 97Ra at 3200K or CRI 95Ra at 5600K
- All Metal Body
- Hybrid Cooling System
- Flicker Free
- Stable Dimming (0~100%)
- Standard DMX 512 / RDM
- Easy Operation
- LED Lifetime : 50,000 hours

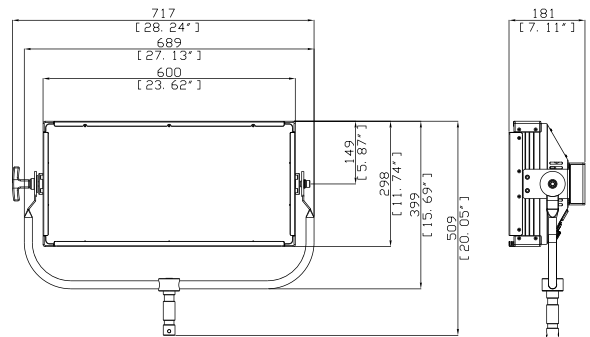


❑ Photometric Information of Lumos Glow Panel 400F

CCT	4 ft	8 ft	12 ft	16 ft	20 ft	1m	2m	3m	4m	5m
3200K	775.1 Fc	193.8 Fc	86.1 Fc	48.4 Fc	31.0 Fc	11,700 lux	3,100 lux	1,380 lux	780 lux	500 lux
5600K	735.4 Fc	183.8 Fc	81.7 Fc	46.0 Fc	29.4 Fc	11,100 lux	2,942 lux	1,307 lux	735 lux	471 lux

❑ Lumos Glow Panel 400F Specifications

Power Consumption	400W Nominal / 450W Maximum	
Size	W600 x H298 x L181 (mm) / W23.6 x H11.7 x L7.1 (inch)	
Weight	12.0 Kg / 26.5 lb	
Color Temperature	3200K or 5600K	
E.Characteristics	Available 2800K, 6500K by Pre-Order	
Dimming	AC 100~240V / 50~60Hz	
Control	0 ~ 100%	
Software Update	Manual / DMX512 / RDM	
Flicker	USB	
Cooling System	Flicker Free	
Operation Temp.	Hybrid Cooling System	
Accessory	0°C ~ 45°C	
	<ul style="list-style-type: none"> • 4-Leaf Barndoor • Pole Operated Yoke (Panning / Tilting) • Diffusing Filter • Snap Bag • Snap Grid • Diffusing filter 	
Color Temperature	3200K	5600K
CCT Tolerance	±150K	±150K
CRI	96 Ra	95 Ra





Lumos Glow Panel 200C

Ideal for the Location, Commercial and Entertainment

- Equivalent of 1000W Tungsten
- Full Color RGBW LED
- CRI 95Ra at 2800~10000K
- All Metal Body
- Hybrid Cooling System
- Flicker Free
- Stable Dimming (0~100%)
- Standard DMX 512 / RDM
- Useful 10 Presets
- Easy Operation
- LED Lifetime : 50,000 hours

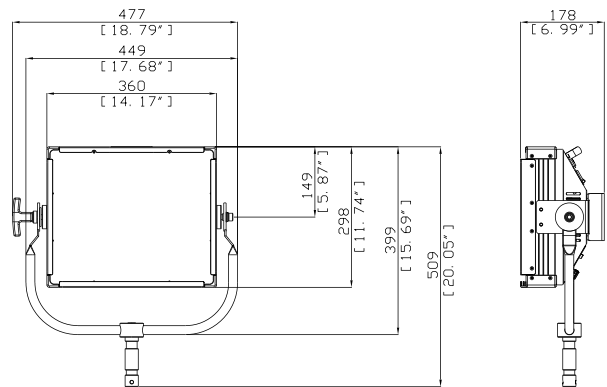


Photometric Information of Lumos Glow Panel 200C

CCT	4 ft	8 ft	12 ft	16 ft	20 ft	1m	2m	3m	4m	5m
3200K	457.1 Fc	114.3 Fc	50.8 Fc	28.6 Fc	18.3 Fc	6,900 lux	1,829 lux	813 lux	457 lux	293 lux
5600K	463.7 Fc	115.9 Fc	51.5 Fc	29.0 Fc	18.5 Fc	7,000 lux	1,855 lux	824 lux	464 lux	297 lux

Lumos Glow Panel 200C Specifications

Power Consumption	200W Nominal / 230W Maximum	
Size	W360 x H298 x L178 (mm) / W14.2 x H11.7 x L7.0 (inch)	
Weight	10.6 Kg / 23.4 lb	
Color Temperature	2800~10000K / Green-Magenta Adjustable	
HUE	Full RGB / White Color. Saturation Control	
E.Characteristics	AC 100~240V / 50~60Hz	
Dimming	0 ~ 100%	
Control	Manual / DMX512 / RDM	
Software Update	USB	
Flicker	Flicker Free	
Cooling System	Hybrid Cooling System	
Operation Temp.	0°C ~ 45°C	
Accessory	<ul style="list-style-type: none"> • 4-Leaf Barndoor • Pole Operated Yoke (Panning / Tilting) • Diffusing Filter • Snap Bag • Snap Grid • Diffusing filter 	
Color Temperature	3200K	5600K
CCT Tolerance	±150K	±150K
CRI	96 Ra	95 Ra



Glow Panel 200C / 400C Lighting Modes

Mode	Function
CCT	<ul style="list-style-type: none"> • Dimming 0~100% Control (Adjust by 1 / 25%) • CCT 2800~10000K Control (Adjust by 100K) • Green-Magenta GN -0.030~+0.030 Control (Adjust by 0.001)
HSI	<ul style="list-style-type: none"> • Dimming 0~100% Control (Adjust by 1 / 25%) • HUE 0°~360° Control (Adjust by 1 / 15°) • Saturation 0~100% Control (Adjust by 1 / 25%)
RGBW	<ul style="list-style-type: none"> • Dimming 0~100% Control (Adjust by 1 / 25%) • Red / Green / Blue / White LED 0~100% Control (Adjust by 1 / 25%)
CCT&RGBW	<ul style="list-style-type: none"> • CCT and RGBW Mode can be Selected (Change Mode by Up/Down Button)
CCT&HSI	<ul style="list-style-type: none"> • CCT and HSI Mode can be Selected (Change Mode by Up/Down Button)
GEL	<ul style="list-style-type: none"> • Dimming 0~100% Control (Adjust by 1 / 25%) • CCT 3200K or 5600K Control • Rosco or LEE Filters Available (Total 67 Gel Filters) (Rosco [26 Gel Filters] / LEE Filters [41 Gel Filters])
Effect	<ul style="list-style-type: none"> • Color Chase <ul style="list-style-type: none"> - Dimming 0~100% and Black Out Control (Adjust by 10%) - Speed 0~100% Control (Adjust by 1 / 25%) - Saturation 0~100% Control (Adjust by 1 / 25%) • Strobe <ul style="list-style-type: none"> - Dimming 0~100% and Black Out Control (Adjust by 10%) - CCT 2800~10000K Control (Adjust by 100K) - Flash Speed 0~100% Control (Adjust by 25%) • Light Bar <ul style="list-style-type: none"> - Dimming 0~100% and Black Out Control (Adjust by 10%) - Select Color Type (11 Color Type) - Select Flash Type (Single / Double / Triple / Triple all / Cycle) • Television <ul style="list-style-type: none"> - Dimming 0~100% and Black Out Control (Adjust by 10%) - Select Color Type (Warmer [2800~4700K] / Neutral [4800~6500K] / Cooler [6600~10000K]) - Select Speed (4~24 Change / min)
Preset	<ul style="list-style-type: none"> • Save and Load 10 Presets
Setting	<ul style="list-style-type: none"> • Change DMX Address (1~512) • Select DMX Protocol (Dimming 8bit or 16bit Mode 0~13) • Control Fan Mode [Fan Auto On / Fan All On / Fan Half On / Fan Off]
Fan Control	<ul style="list-style-type: none"> • Fan Auto On : LED PCB Temp. 0~39°C Fan Off / 40~44°C Fan Half On / 45°C~ Fan All On • Fan All On : Dimming 0~50% Fan Off / 51~100% Fan All On • Fan Half On : Dimming 75% Max. / Dimming 0~50% Fan Off / 51~75% Fan Half On • Fan Off : Dimming 50% Max. / Not Use the Fan



Lumos Hawk 400MK

Powerful as Sunlight

- Equivalent of 3000W Tungsten
- CRI 95Ra at 2800~6500K
- 15°~50° Beam Angle
- Hybrid Cooling System
- Flicker Free
- Stable Dimming (0~100%)
- Standard DMX 512 / RDM
- COB Lifetime : 50,000 hours

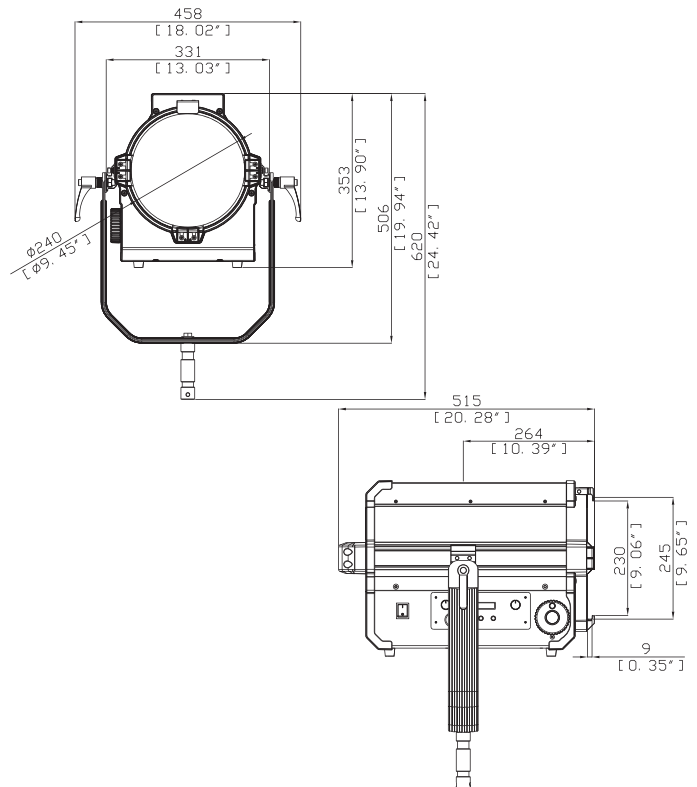


Photometric Information of Lumos Hawk 400MK

CCT	Beam angle	4 ft	8 ft	12 ft	16 ft	20 ft	1m	2m	3m	4m	5m
3200K	Spot (15°)	14,624 Fc	3,656 Fc	1,625 Fc	914.1 Fc	585.0 Fc	195,000 lux	58,500 lux	26,000 lux	14,625 lux	9,360 lux
	Flood (50°)	1,800 Fc	450.0 Fc	200.0 Fc	112.5 Fc	72.0 Fc	24,000 lux	7,200 lux	3,200 lux	1,800 lux	1,152 lux
5600K	Spot (15°)	19,687 Fc	4,921 Fc	2,187 Fc	1,230 Fc	787.5 Fc	262,500 lux	78,750 lux	35,000 lux	19,688 lux	12,600 lux
	Flood (50°)	1,968 Fc	492.2 Fc	218.7 Fc	123.0 Fc	78.7 Fc	26,250 lux	7,875 lux	3,500 lux	1,969 lux	1,260 lux

Lumos Hawk400MK Specifications

Power Consumption	400W Nominal / 420W Maximum	
Size	W331 x H353 x L515 (mm) / W13.0 x H13.9 x L20.3 (inch)	
Weight	15 Kg / 33 lb	
Color Temperature	2800 ~ 6500K	
E.Characteristics	AC 100~240V / 50~60Hz	
Dimming	0 ~ 100%	
Control	Manual / DMX512 / RDM	
Software Update	USB	
Flicker	Flicker Free	
Fresnel Lens	240mm (9.45") PC Fresnel Lens	
Beam Angle	15° ~ 50°	
Cooling System	Hybrid Cooling System	
Operation Temp.	0°C ~ 45°C	
Accessory	<ul style="list-style-type: none"> • 4-Leaf Barndoor • Pole Operated Yoke (Panning / Tilting / Beam Angle) • Diffusing filter 	
Color Temperature	3200K	5600K
CCT Tolerance	±150K	±150K
CRI	96 Ra	95 Ra





Lumos Hawk 400F

Powerful as Sunlight

- Equivalent of 3000W Tungsten
- CRI 97Ra at 3200K or CRI 95Ra at 5600K
- 15°~50° Beam Angle
- Hybrid Cooling System
- Flicker Free
- Stable Dimming (0~100%)
- Standard DMX 512 / RDM
- COB Lifetime : 50,000 hours

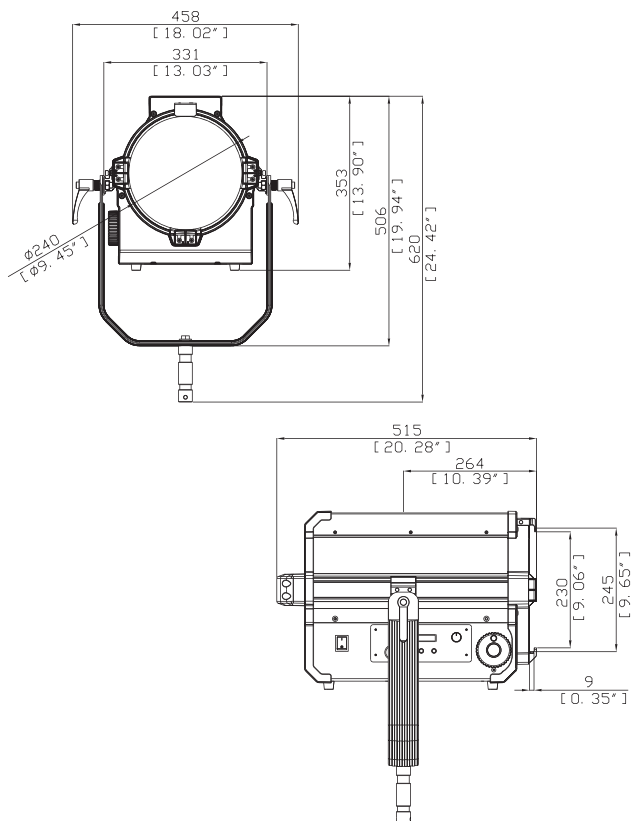


Photometric Information of Lumos Hawk 400F

CCT	Beam angle	4 ft	8 ft	12 ft	16 ft	20 ft	1m	2m	3m	4m	5m
3200K	Spot (15°)	18,281 Fc	4,570 Fc	2,031 Fc	1,142 Fc	731.2 Fc	243,750 lux	73,125 lux	32,500 lux	18,281 lux	11,700 lux
	Flood (50°)	1,575 Fc	393.7 Fc	175.0 Fc	98.4 Fc	63.0 Fc	21,000 lux	6,300 lux	2,800 lux	1,575 lux	1,080 lux
5600K	Spot (15°)	20,249 Fc	5,062 Fc	2,250 Fc	1,265 Fc	810.0 Fc	270,000 lux	81,000 lux	36,000 lux	20,250 lux	12,960 lux
	Flood (50°)	1,743 Fc	435.9 Fc	193.7 Fc	109.0 Fc	69.7 Fc	23,250 lux	6,975 lux	3,100 lux	1,744 lux	1,116 lux

Lumos Hawk 400F Specifications

Power Consumption	400W Nominal / 420W Maximum	
Size	W331 x H353 x L515 (mm) / W13.0 x H13.9 x L20.3 (inch)	
Weight	15 Kg / 33 lb	
Color Temperature	3200 or 5600K	
E.Characteristics	AC 100~240V / 50~60Hz	
Dimming	0~100%	
Control	Manual / DMX512 / RDM	
Software Update	USB	
Flicker	Flicker Free	
Fresnel Lens	240mm (9.45") PC Fresnel Lens	
Beam Angle	15° ~ 50°	
Cooling System	Hybrid Cooling System	
Operation Temp.	0°C ~ 45°C	
Accessory	<ul style="list-style-type: none"> • 4-Leaf Barndoor • Pole Operated Yoke (Panning / Tilting / Beam Angle) • Diffusing filter 	
Color Temperature	3200K	5600K
CCT Tolerance	±150K	±150K
CRI	96 Ra	95 Ra





Lumos Hawk 300 MK

Powerful as Sunlight

- Equivalent of 2500W Tungsten
- CRI 95Ra at 2800~6500K
- 15°~50° Beam Angle
- Hybrid Cooling System
- Flicker Free
- Stable Dimming (0~100%)
- Standard DMX 512 / RDM
- COB Lifetime : 50,000 hours

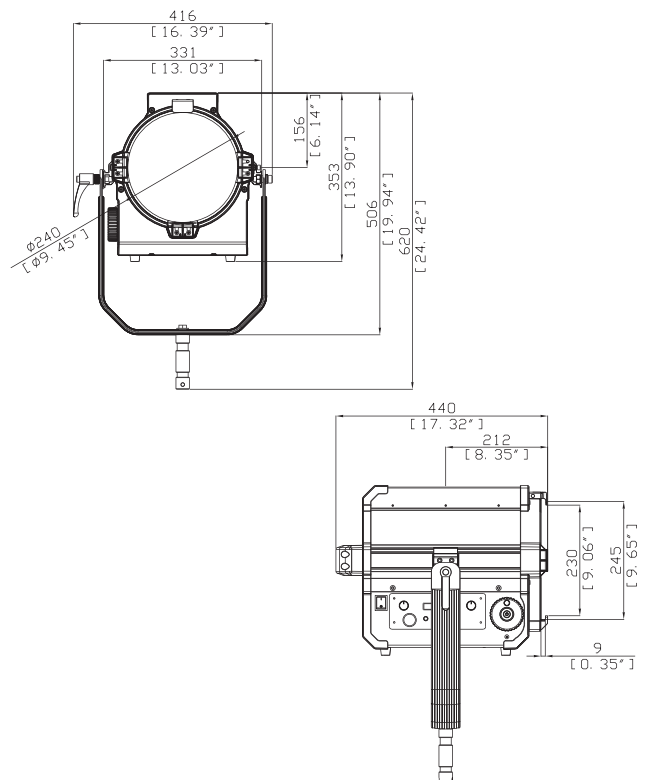


Photometric Information of Lumos Hawk 300MK

CCT	Beam angle	4 ft	8 ft	12 ft	16 ft	20 ft	1m	2m	3m	4m	5m
3200K	Spot (15°)	13,612 Fc	3,403 Fc	1,512 Fc	850.8 Fc	544.5 Fc	181,500 lux	54,450 lux	24,200 lux	13,613 lux	8,712 lux
	Flood (50°)	1,125 Fc	281.2 Fc	125.0 Fc	70.3 Fc	45.0 Fc	15,000 lux	4,500 lux	2,000 lux	1,125 lux	720 lux
5600K	Spot (15°)	17,887 Fc	4,471 Fc	1,987 Fc	1,118 Fc	715.5 Fc	238,500 lux	71,550 lux	31,800 lux	17,888 lux	11,448 lux
	Flood (50°)	1,518 Fc	379.7 Fc	168.7 Fc	94.9 Fc	60.7 Fc	20,250 lux	6,075 lux	2,700 lux	1,519 lux	972 lux

Lumos Hawk 300MK Specifications

Power Consumption	270W Nominal / 300W Maximum	
Size	W331 x H353 x L440 (mm) / W13.0 x H13.9 x L17.3 (inch)	
Weight	10 Kg / 22 lb	
Color Temperature	2800 ~ 6500K	
E.Characteristics	AC 100~240V / 50~60Hz	
Dimming	0 ~ 100%	
Control	Manual / DMX512 / RDM	
Software Update	USB	
Flicker	Flicker Free	
Fresnel Lens	240mm (9.45") PC Fresnel Lens	
Beam Angle	15° ~ 50°	
Cooling System	Hybrid Cooling System	
Operation Temp.	0°C ~ 45°C	
Accessory	<ul style="list-style-type: none"> • 4-Leaf Barndoor • Pole Operated Yoke (Panning / Tilting / Beam Angle) • Diffusing filter 	
Color Temperature	3200K	5600K
CCT Tolerance	±150K	±150K
CRI	96 Ra	95 Ra





Lumos Hawk 300F

Powerful as Sunlight

- Equivalent of 2500W Tungsten
- CRI 97Ra at 3200K or CRI 95Ra at 5600K
- 15°~50° Beam Angle
- Hybrid Cooling System
- FlickerFree
- Stable Dimming (0~100%)
- Standard DMX 512 / RDM
- COB Lifetime : 50,000 hours

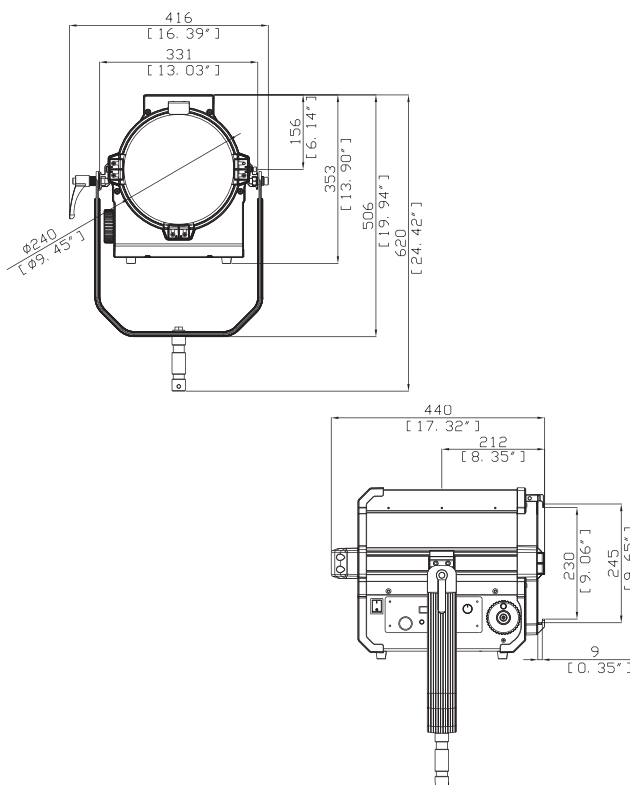


Photometric Information of Lumos Hawk 300F

CCT	Beam angle	4 ft	8 ft	12 ft	16 ft	20 ft	1m	2m	3m	4m	5m
3200K	Spot (15°)	12,937 Fc	3,234 Fc	1,437 Fc	808.6 Fc	517.5 Fc	172,500 lux	51,750 lux	23,000 lux	12,938 lux	8,280 lux
	Flood (50°)	1,237 Fc	309.4 Fc	137.5 Fc	77.3 Fc	49.5 Fc	16,500 lux	4,950 lux	2,200 lux	1,238 lux	792 lux
5600K	Spot (15°)	14,118 Fc	3,529 Fc	1,568 Fc	882.4 Fc	564.7 Fc	188,250 lux	56,475 lux	25,100 lux	14,119 lux	9,036 lux
	Flood (50°)	1,462 Fc	365.6 Fc	162.5 Fc	91.4 Fc	58.5 Fc	19,500 lux	5,850 lux	2,600 lux	1,463 lux	936 lux

Lumos Hawk 300F Specifications

Power Consumption	270W Nominal / 300W Maximum	
Size	W331 x H353 x L440 (mm) / W13.0 x H13.9 x L17.3 (inch)	
Weight	10 Kg / 22 lb	
Color Temperature	3200 or 5600K	
E.Characteristics	AC 100~240V / 50~60Hz	
Dimming	0 ~ 100%	
Control	Manual / DMX512 / RDM	
Software Update	USB	
Flicker	Flicker Free	
Fresnel Lens	240mm (9.45") PC Fresnel Lens	
Beam Angle	15° ~ 50°	
Cooling System	Hybrid Cooling System	
Operation Temp.	0°C ~ 45°C	
Accessory	<ul style="list-style-type: none"> • 4-Leaf Barndoor • Pole Operated Yoke (Panning / Tilting / Beam Angle) • Diffusing filter 	
Color Temperature	3200K	5600K
CCT Tolerance	±150K	±150K
CRI	96 Ra	95 Ra





Lumos Hawk 200MK

Powerful Fresnel Light

- Equivalent of 1500W Tungsten
- CRI 95Ra at 2800~6500K
- 15°~50° Beam Angle
- Hybrid Cooling System
- Flicker Free
- Stable Dimming (0~100%)
- Standard DMX 512 / RDM
- COB Lifetime : 50,000 hours

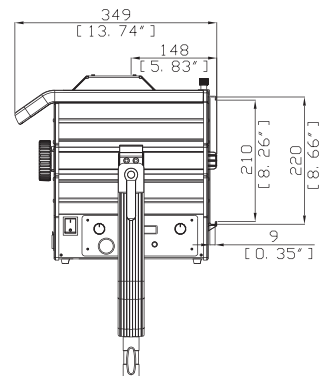
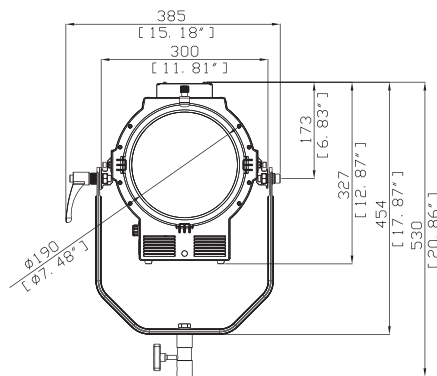


Photometric Information of Lumos Hawk 200MK

CCT	Beamangle	4 ft	8 ft	12 ft	16 ft	20 ft	1m	2m	3m	4m	5m
3200K	Spot (15°)	6,468 Fc	1,617 Fc	718.7 Fc	404.3 Fc	258.7 Fc	86,250 lux	25,875 lux	11,500 lux	6,469 lux	4,140 lux
	Flood (50°)	618.7 Fc	154.7 Fc	68.7 Fc	38.7 Fc	24.7 Fc	8,250 lux	2,475 lux	1,100 lux	619 lux	396 lux
5600K	Spot (15°)	8,437 Fc	2,109 Fc	937.5 Fc	527.3 Fc	337.5 Fc	112,500 lux	33,750 lux	15,000 lux	8,438 lux	5,400 lux
	Flood (50°)	787.5 Fc	196.9 Fc	87.5 Fc	49.2 Fc	31.5 Fc	10,500 lux	3,150 lux	1,400 lux	788 lux	504 lux

Lumos Hawk 200MK Specifications

Power Consumption	200W Nominal / 230W Maximum	
Size	W300 x H327 x L349 (mm) / W11.8 x H12.9 x L13.7 (inch)	
Weight	8.5 Kg / 18.7 lb	
Color Temperature	2800 ~ 6500K	
E.Characteristics	AC 100~240V / 50~60Hz	
Dimming	0 ~ 100%	
Control	Manual / DMX512 / RDM	
Software Update	USB	
Flicker	Flicker Free	
Fresnel Lens	190mm (7.47") PMMA Fresnel Lens	
Beam Angle	15° ~ 50°	
Cooling System	Hybrid Cooling System	
Operation Temp.	0°C ~ 45°C	
Accessory	<ul style="list-style-type: none"> • 4-Leaf Barndoor • Pole Operated Yoke (Panning / Tilting / Beam Angle) • Diffusing filter 	
Color Temperature	3200K	5600K
CCT Tolerance	±150K	±150K
CRI	96 Ra	95 Ra



Lumos Hawk 200F



Powerful Fresnel Light

- Equivalent of 1500W Tungsten
- CRI 97Ra at 3200K or CRI 95Ra at 5600K
- 15°~50° Beam Angle
- Hybrid Cooling System
- Flicker Free
- Stable Dimming (0~100%)
- Standard DMX 512 / RDM
- COB Lifetime : 50,000 hours

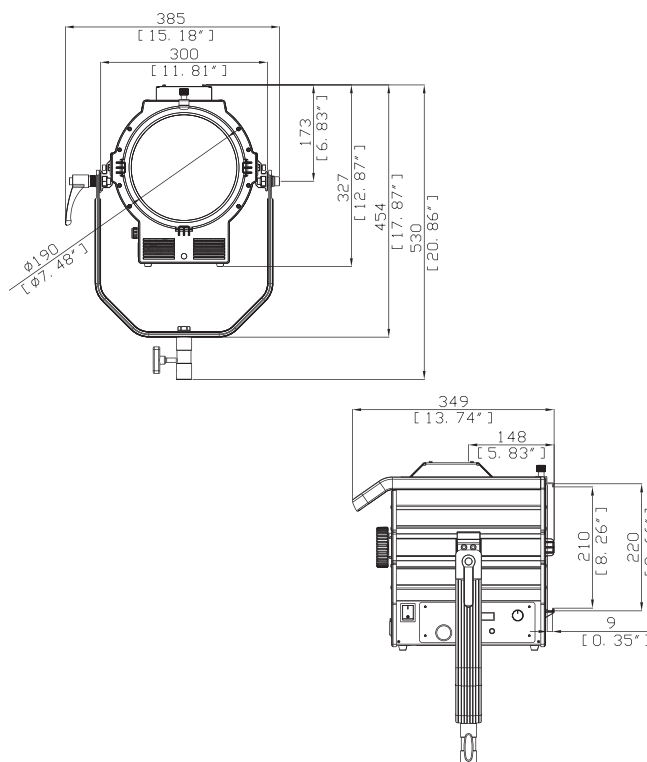


Photometric Information of Lumos Hawk 200F

CCT	Beamangle	4 ft	8 ft	12 ft	16 ft	20 ft	1m	2m	3m	4m	5m
3200K	Spot (15°)	4,950 Fc	1,237 Fc	550.0 Fc	309.4 Fc	198.0 Fc	66,000 lux	19,800 lux	8,800 lux	4,950 lux	3,168 lux
	Flood (50°)	590.6 Fc	147.7 Fc	65.6 Fc	36.9 Fc	23.6 Fc	7,875 lux	2,363 lux	1,050 lux	591 lux	378 lux
5600K	Spot (15°)	5,625 Fc	1,406 Fc	625.0 Fc	351.6 Fc	225.0 Fc	75,000 lux	22,500 lux	10,000 lux	5,625 lux	3,600 lux
	Flood (50°)	675.0 Fc	168.7 Fc	75.0 Fc	42.2 Fc	27.0 Fc	9,000 lux	2,700 lux	1,200 lux	675 lux	432 lux

Lumos Hawk 200F Specifications

Power Consumption	200W Nominal / 230W Maximum	
Size	W300 x H327 x L349 (mm) / W11.8 x H12.9 x L13.7 (inch)	
Weight	8.5 Kg / 18.7 lb	
Color Temperature	3200K or 5600K	
E.Characteristics	AC 100~240V / 50~60Hz	
Dimming	0 ~ 100%	
Control	Manual / DMX512 / RDM	
Software Update	USB	
Flicker	Flicker Free	
Fresnel Lens	190mm (7.47") PMMA Fresnel Lens	
Beam Angle	15° ~ 50°	
Cooling System	Hybrid Cooling System	
Operation Temp.	0°C ~ 45°C	
Accessory	<ul style="list-style-type: none"> • 4-Leaf Barndoor • Pole Operated Yoke (Panning / Tilting / Beam Angle) • Diffusing filter 	
Color Temperature	3200K	5600K
CCT Tolerance	±150K	±150K
CRI	96 Ra	95 Ra





Lumos Hawk 150MK

Powerful Fresnel Light

- Equivalent of 1000W Tungsten
- CRI 95Ra at 2800~6500K
- 15°~50° Beam Angle
- No Fan (Convective Transfer)
- Flicker Free
- Stable Dimming (0~100%)
- Standard DMX 512 / RDM
- COB Lifetime : 50,000 hours

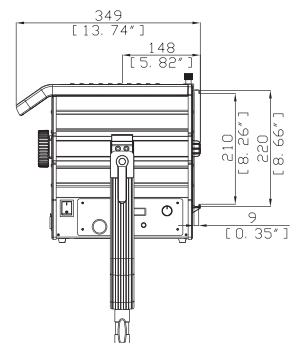
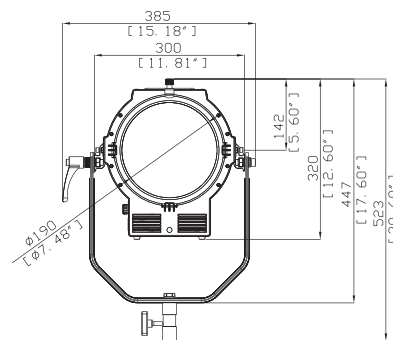


Photometric Information of Lumos Hawk 150MK

CCT	Beamangle	4 ft	8 ft	12 ft	16 ft	20 ft	1m	2m	3m	4m	5m
3200K	Spot (15°)	4,425 Fc	1,106 Fc	491.7 Fc	276.6 Fc	177.0 Fc	59,000 lux	17,700 lux	7,867 lux	4,425 lux	2,832 lux
	Flood (50°)	427.5 Fc	106.9 Fc	47.5 Fc	26.7 Fc	17.1 Fc	5,700 lux	1,710 lux	760 lux	428 lux	274 lux
5600K	Spot (15°)	5,625 Fc	1,406 Fc	625.0 Fc	351.6 Fc	225.0 Fc	75,000 lux	22,500 lux	10,000 lux	5,625 lux	3,600 lux
	Flood (50°)	555.0 Fc	138.7 Fc	61.7 Fc	34.7 Fc	22.2 Fc	7,400 lux	2,220 lux	987 lux	555 lux	355 lux

Lumos Hawk 150MK Specifications

Power Consumption	150W Nominal / 170W Maximum	
Size	W300 x H320 x L349 (mm) / W11.8 x H12.6 x L13.7 (inch)	
Weight	8 Kg / 17.6 lb	
Color Temperature	2800 ~ 6500K	
E.Characteristics	AC 100~240V / 50~60Hz	
Dimming	0 ~ 100%	
Control	Manual / DMX512 / RDM	
Software Update	USB	
Flicker	Flicker Free	
Fresnel Lens	190mm (7.47") PMMA Fresnel Lens	
Beam Angle	15° ~ 50°	
Cooling System	Natural Convection (No Fan)	
Operation Temp.	0°C ~ 45°C	
Accessory	<ul style="list-style-type: none"> • 4-Leaf Barndoor • Pole Operated Yoke (Panning / Tilting / Beam Angle) • Diffusing filter 	
Color Temperature	3200K	5600K
CCT Tolerance	±150K	±150K
CRI	96 Ra	95 Ra



Lumos Hawk 150 F



Powerful Fresnel Light

- Equivalent of 1000W Tungsten
- CRI 97Ra at 3200K or CRI 95Ra at 5600K
- 15°~50° Beam Angle
- No Fan (Convective Transfer)
- Flicker Free
- Stable Dimming (0~100%)
- Standard DMX 512 / RDM
- COB Lifetime : 50,000 hours

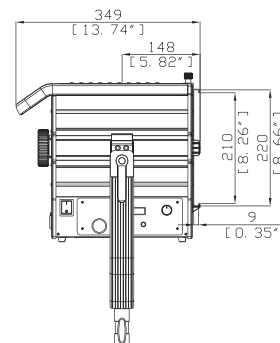
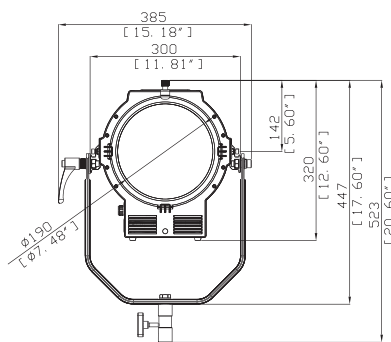


Photometric Information of Lumos Hawk 150F

CCT	Beamangle	4 ft	8 ft	12 ft	16 ft	20 ft	1m	2m	3m	4m	5m
3200K	Spot (15°)	3,652 Fc	913.1 Fc	405.8 Fc	228.3 Fc	146.1 Fc	48,700 lux	14,620 lux	6,493 lux	3,653 lux	2,338 lux
	Flood (50°)	487.5 Fc	121.9 Fc	54.2 Fc	30.5 Fc	19.5 Fc	6,500 lux	1,950 lux	867 lux	488 lux	312 lux
5600K	Spot (15°)	4,350 Fc	1,087 Fc	483.3 Fc	271.9 Fc	174.0 Fc	58,000 lux	17,400 lux	7,733 lux	4,350 lux	2,784 lux
	Flood (50°)	562.5 Fc	140.6 Fc	62.5 Fc	35.2 Fc	22.5 Fc	7,500 lux	2,250 lux	1,000 lux	563 lux	360 lux

Lumos Hawk 150F Specifications

Power Consumption	150W Nominal / 170W Maximum	
Size	W300 x H320 x L349 (mm) / W11.8 x H12.6 x L13.7 (inch)	
Weight	8 Kg / 17.6 lb	
Color Temperature	3200K or 5600K	
E.Characteristics	AC 100~240V / 50~60Hz	
Dimming	0 ~ 100%	
Control	Manual / DMX512 / RDM	
Software Update	USB	
Flicker	Flicker Free	
Fresnel Lens	190mm (7.47") PMMA Fresnel Lens	
Beam Angle	15° ~ 50°	
Cooling System	Natural Convection (No Fan)	
Operation Temp.	0°C ~ 45°C	
Accessory	<ul style="list-style-type: none"> • 4-Leaf Barndoor • Pole Operated Yoke (Panning / Tilting / Beam Angle) • Diffusing filter 	
Color Temperature	3200K	5600K
CCT Tolerance	±150K	±150K
CRI	96 Ra	95 Ra



Lumos Hawk 100 MK

Small but Powerful Fresnel Light

- Equivalent of 600W Tungsten
- CRI 95Ra at 2800~6500K
- 15°~50° Beam Angle
- Hybrid Cooling System
- Flicker Free
- Stable Dimming (0~100%)
- Standard DMX 512
- COB Lifetime : 50,000 hours

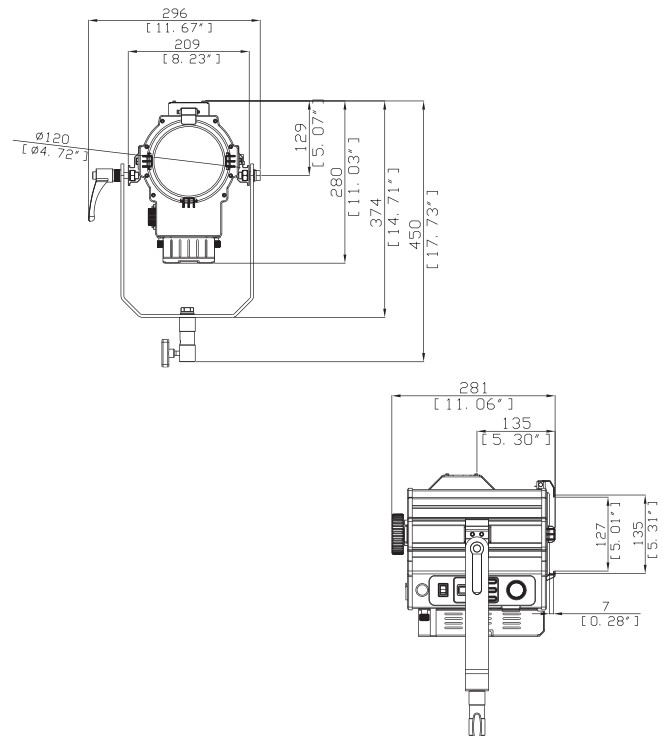


Photometric Information of Lumos Hawk 100MK

CCT	Beamangle	4 ft	8 ft	12 ft	16 ft	20 ft	1m	2m	3m	4m	5m
3200K	Spot (15°)	1,350 Fc	337.5 Fc	150.0 Fc	84.4 Fc	54.0 Fc	18,000 lux	5,400 lux	2,400 lux	1,350 lux	864 lux
	Flood (50°)	337.5 Fc	84.4 Fc	37.5 Fc	21.1 Fc	13.5 Fc	4,500 lux	1,350 lux	600 lux	338 lux	216 lux
5600K	Spot (15°)	1,762 Fc	440.6 Fc	195.8 Fc	110.2 Fc	70.5 Fc	23,500 lux	7,050 lux	3,133 lux	1,763 lux	1,128 lux
	Flood (50°)	435.0 Fc	108.7 Fc	48.3 Fc	27.2 Fc	17.4 Fc	5,800 lux	1,740 lux	773 lux	435 lux	278 lux

Lumos Hawk 100MK Specifications

Power Consumption	100W Nominal / 110W Maximum	
Size	W209 x H280 x L281 (mm) / W8.2 x H10.1 x L11.0 (inch)	
Weight	4.5 Kg / 9.9 lb	
Color Temperature	2800 ~ 6500K	
E.Characteristics	AC 100~240V / 50~60Hz	
Input Voltage	12~24V DC (Free Volt)	
Dimming	0 ~ 100%	
Control	Manual / DMX512	
Flicker	Flicker Free	
Fresnel Lens	120mm (4.72") PMMA Fresnel Lens	
Beam Angle	15° ~ 50°	
Cooling System	Hybrid Cooling System	
Operation Temp.	0°C ~ 45°C	
Accessory	<ul style="list-style-type: none"> • 4-Leaf Barndoor • Pole Operated Yoke (Panning / Tilting / Beam Angle) • Diffusing filter 	
Color Temperature	3200K	5600K
CCT Tolerance	±150K	±150K
CRI	96 Ra	95 Ra



Lumos Hawk 100F



Small but Powerful Fresnel Light

- Equivalent of 600W Tungsten
- CRI 97Ra at 3200K or CRI 95Ra at 5600K
- 15°~50° Beam Angle
- Hybrid Cooling System
- Flicker Free
- Stable Dimming (0~100%)
- Standard DMX 512
- COB Lifetime : 50,000 hours

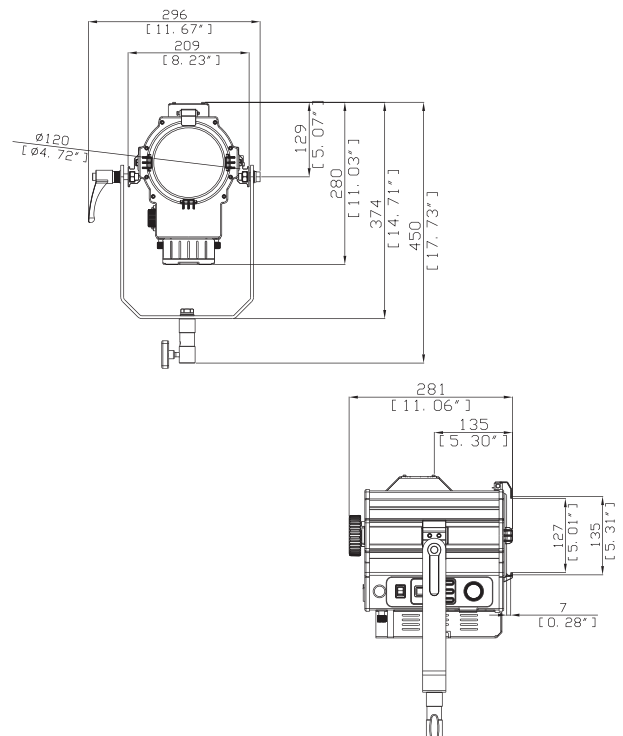


Photometric Information of Lumos Hawk 100F

CCT	Beamangle	4 ft	8 ft	12 ft	16 ft	20 ft	1m	2m	3m	4m	5m
3200K	Spot (15°)	2,212 Fc	553.1 Fc	245.8 Fc	138.3 Fc	88.5 Fc	29,500 lux	8,850 lux	3,933 lux	2,213 lux	1,416 lux
	Flood (50°)	525.0 Fc	131.2 Fc	58.3 Fc	32.8 Fc	21.0 Fc	7,000 lux	2,150 lux	933 lux	525 lux	336 lux
5600K	Spot (15°)	2,625 Fc	656.2 Fc	291.7 Fc	164.1 Fc	105.0 Fc	35,000 lux	10,500 lux	4,667 lux	2,625 lux	1,680 lux
	Flood (50°)	562.5 Fc	140.6 Fc	62.5 Fc	35.2 Fc	22.5 Fc	7,500 lux	2,250 lux	1,000 lux	563 lux	360 lux

Lumos Hawk 100F Specifications

Power Consumption	100W Nominal / 110W Maximum	
Size	W209 x H280 x L281 (mm) / W8.2 x H10.1 x L11.0 (inch)	
Weight	4.5 Kg / 9.9 lb	
Color Temperature	3200L or 5600K	
E.Characteristics	AC 100~240V / 50~60Hz	
Input Voltage	12~24V DC (Free Volt)	
Dimming	0 ~ 100%	
Control	Manual / DMX512	
Flicker	Flicker Free	
Fresnel Lens	120mm (4.72") PMMA Fresnel Lens	
Beam Angle	15° ~ 50°	
Cooling System	Hybrid Cooling System	
Operation Temp.	0°C ~ 45°C	
Accessory	<ul style="list-style-type: none"> • 4-Leaf Barndoor • Pole Operated Yoke (Panning / Tilting / Beam Angle) • Diffusing filter 	
Color Temperature	3200K	5600K
CCT Tolerance	±150K	±150K
CRI	96 Ra	95 Ra





Lumos Hawk 50 MK



Small and Quiet Fresnel Light

- Equivalent of 400W Tungsten
- CRI 95Ra at 2800~6500K
- 15°~50° Beam Angle
- No Fan (Convective Transfer)
- Flicker Free
- Stable Dimming (0~100%)
- Standard DMX 512
- COB Lifetime : 50,000 hours

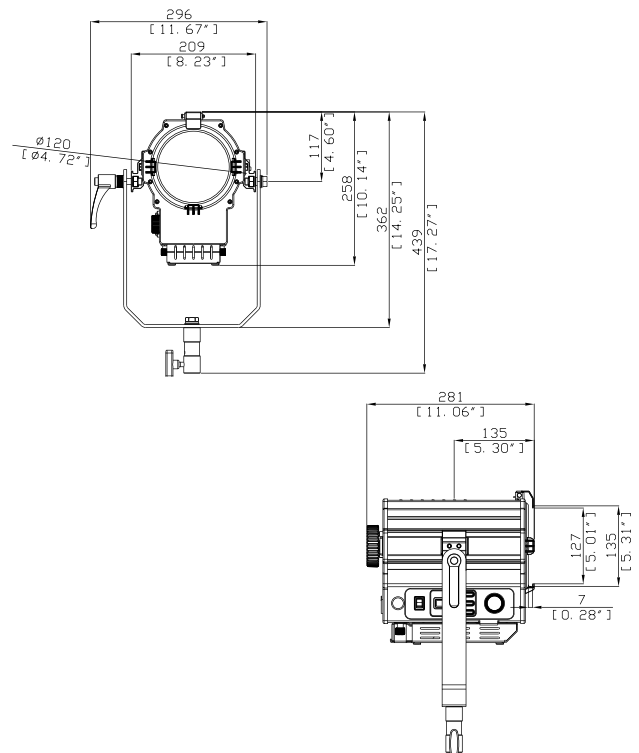


Photometric Information of Lumos Hawk 50MK

CCT	Beamangle	4 ft	8 ft	12 ft	16 ft	20 ft	1m	2m	3m	4m	5m
3200K	Spot (15°)	922.5 Fc	230.6 Fc	102.5 Fc	57.7 Fc	36.9 Fc	12,300 lux	3,690 lux	1,640 lux	923 lux	590 lux
	Flood (50°)	225.0 Fc	56.2 Fc	25.0 Fc	14.1 Fc	9.0 Fc	3,000 lux	900 lux	400 lux	225 lux	144 lux
5600K	Spot (15°)	1,200 Fc	300.0 Fc	133.3 Fc	75.0 Fc	48.0 Fc	16,000 lux	4,800 lux	2,133 lux	1,200 lux	768 lux
	Flood (50°)	277.5 Fc	69.4 Fc	30.8 Fc	17.3 Fc	11.1 Fc	3,700 lux	1,110 lux	493 lux	278 lux	178 lux

Lumos Hawk 50MK Specifications

Power Consumption	50W	
Size	W209 x H258 x L281 (mm) / W8.2 x H10.1 x L11.0 (inch)	
Weight	4 Kg / 8.8 lb	
Color Temperature	2800 ~ 6500K	
E.Characteristics	AC 100~240V / 50~60Hz	
Input Voltage	12~24V DC (Free Volt)	
Dimming	0 ~ 100%	
Control	Manual / DMX512	
Flicker	Flicker Free	
Fresnel Lens	120mm (4.72") PMMA Fresnel Lens	
Beam Angle	15° ~ 50°	
Cooling System	Natural Convection (No Fan)	
Operation Temp.	0°C ~ 45°C	
Accessory	<ul style="list-style-type: none"> • 4-Leaf Barndoor • Pole Operated Yoke (Panning / Tilting / Beam Angle) • Diffusing filter 	
Color Temperature	3200K	5600K
CCT Tolerance	±150K	±150K
CRI	96 Ra	95 Ra



Lumos Hawk 50F

Small and Quiet Fresnel Light

- Equivalent of 400W Tungsten
- CRI 97Ra at 3200K or CRI 95Ra at 5600K
- 15°~50° Beam Angle
- No Fan (Convective Transfer)
- Flicker Free
- Stable Dimming (0~100%)
- Standard DMX 512
- COB Lifetime : 50,000 hours

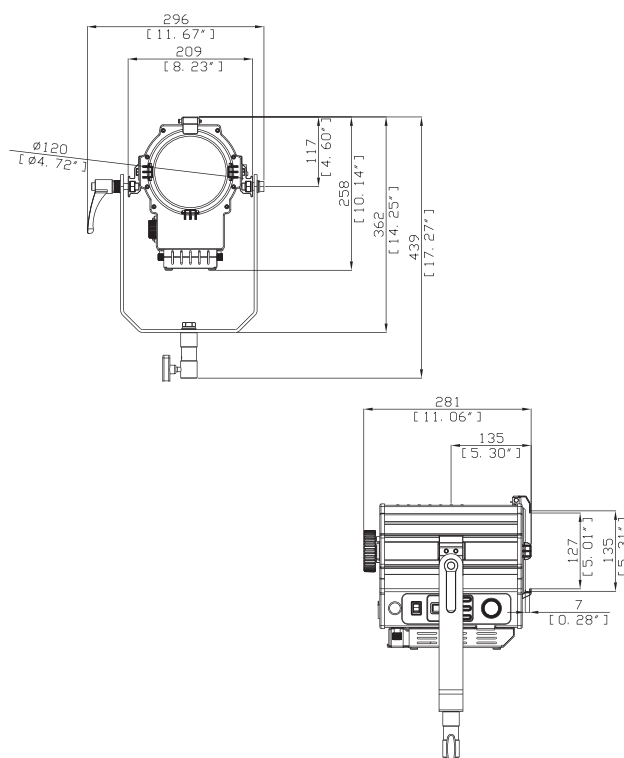


Photometric Information of Lumos Hawk 50F

CCT	Beamangle	4 ft	8 ft	12 ft	16 ft	20 ft	1m	2m	3m	4m	5m
3200K	Spot (15°)	1,425 Fc	356.2 Fc	158.3 Fc	89.0 Fc	57.0 Fc	19,000 lux	5,700 lux	2,533 lux	1,425 lux	912 lux
	Flood (50°)	277.5 Fc	69.4 Fc	30.8 Fc	17.3 Fc	11.1 Fc	3,700 lux	1,110 lux	493 lux	278 lux	178 lux
5600K	Spot (15°)	1,530 Fc	382.5 Fc	170.0 Fc	95.6 Fc	61.2 Fc	20,400 lux	6,120 lux	2,720 lux	1,530 lux	979 lux
	Flood (50°)	292.5 Fc	73.1 Fc	32.5 Fc	18.3 Fc	11.7 Fc	3,900 lux	1,170 lux	520 lux	293 lux	187 lux

Lumos Hawk 50F Specifications

Power Consumption	50W	
Size	W209 x H258 x L281 (mm) / W8.2 x H10.1 x L11.0 (inch)	
Weight	4 Kg / 8.8 lb	
Color Temperature	3200K or 5600K	
E.Characteristics	AC 100~240V / 50~60Hz	
Input Voltage	12~24V DC (Free Volt)	
Dimming	0 ~ 100%	
Control	Manual / DMX512	
Flicker	Flicker Free	
Fresnel Lens	120mm (4.72") PMMA Fresnel Lens	
Beam Angle	15° ~ 50°	
Cooling System	Natural Convection (No Fan)	
Operation Temp.	0°C ~ 45°C	
Accessory	<ul style="list-style-type: none"> • 4-Leaf Barndoor • Pole Operated Yoke (Panning / Tilting / Beam Angle) • Diffusing filter 	
Color Temperature	3200K	5600K
CCT Tolerance	±150K	±150K
CRI	96 Ra	95 Ra



Lumos 800GT MK



LED Light for the Field & Studio

- Equivalent of 2000W Tungsten
- Adjustable Color Temperature (3200~5600K or 2800~6500K)
- All Metal Body
- No Fan (Convective Transfer)
- Flicker Free
- Stable Dimming (0~100%)
- Standard DMX 512 / RDM
- LED Lifetime : 50,000 hours

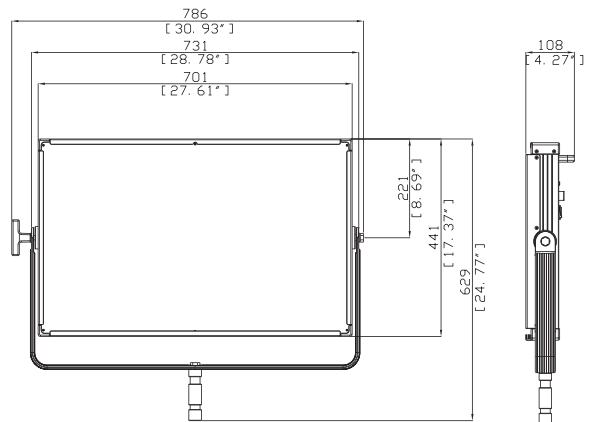


Photometric Information of Lumos 800GT MK

CCT	LED option	4ft	8ft	12ft	16ft	20ft	1m	2m	3m	4m	5m
3200K	w/o lens(85)	430.6 Fc	107.7 Fc	47.8 Fc	26.9 Fc	17.2 Fc	6,500 lux	1,720 lux	770 lux	430 lux	280 lux
	w/ lens(55)	675.7 Fc	168.9 Fc	75.1 Fc	42.2 Fc	27.0 Fc	10,200 lux	2,700 lux	1,200 lux	680 lux	430 lux
5600K	w/o lens(85)	463.7 Fc	115.9 Fc	51.5 Fc	29.0 Fc	18.5 Fc	7,000 lux	1,860 lux	820 lux	460 lux	300 lux
	w/ lens(55)	748.6 Fc	187.2 Fc	83.2 Fc	46.8 Fc	29.9 Fc	11,300 lux	2,990 lux	1,330 lux	750 lux	480 lux

Lumos 800GT MK Specifications

Power Consumption	270W Nominal / 300W Maximum	
Size	W701 x H441 x L108 (mm) / W27.6 x H17.4 x L4.3 (inch)	
Weight	12.7 Kg / 28 lb	
Color Temperature	3200 ~ 5600K or 2800 ~ 6500K	
E.Characteristics	AC 100~240V / 50~60Hz	
Dimming	0 ~ 100%	
Control	Manual / DMX512 / RDM	
Software Update	USB	
Flicker	Flicker Free	
Cooling System	Natural Convection (No Fan)	
Operation Temp.	0°C ~ 45°C	
Accessory	<ul style="list-style-type: none"> • 4-Leaf Barndoor • Diffusing filter • Honeycomb Grid • Pole Operated Yoke (Panning / Tilting) 	
Color Temperature	3200K	5600K
CCT Tolerance	±150K	±150K
CRI	97 Ra	95 Ra



Lumos 800GT F



LED Light for the Field & Studio

- Equivalent of 2000W Tungsten
- CRI 97Ra at 3200K or CRI 95Ra at 5600K
- All Metal Body
- No Fan (Convective Transfer)
- Flicker Free
- Stable Dimming (0~100%)
- Standard DMX 512 / RDM
- LED Lifetime : 50,000 hours

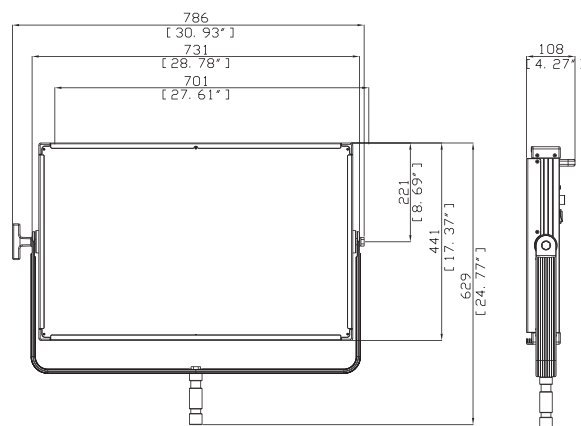


Photometric Information of Lumos 800GT F

CCT	LED option	4ft	8ft	12ft	16ft	20ft	1m	2m	3m	4m	5m
3200K	w/o lens(85)	430.6 Fc	107.7 Fc	47.8 Fc	26.9 Fc	17.2 Fc	6,500 lux	1,720 lux	770 lux	430 lux	280 lux
	w/ lens(55)	675.7 Fc	168.9 Fc	75.1 Fc	42.2 Fc	27.0 Fc	10,200 lux	2,700 lux	1,200 lux	680 lux	430 lux
5600K	w/o lens(85)	463.7 Fc	115.9 Fc	51.5 Fc	29.0 Fc	18.5 Fc	7,000 lux	1,860 lux	820 lux	460 lux	300 lux
	w/ lens(55)	748.6 Fc	187.2 Fc	83.2 Fc	46.8 Fc	29.9 Fc	11,300 lux	2,990 lux	1,330 lux	750 lux	480 lux

Lumos 800GT F Specifications

Power Consumption	270W Nominal / 300W Maximum	
Size	W701 x H441 x L108 (mm) / W27.6 x H17.4 x L4.3 (inch)	
Weight	12.7 Kg / 28 lb	
Color Temperature	3200K or 5600K	
E.Characteristics	AC 100~240V / 50~60Hz	
Dimming	0 ~ 100%	
Control	Manual / DMX512 / RDM	
Software Update	USB	
Flicker	Flicker Free	
Cooling System	Natural Convection (No Fan)	
Operation Temp.	0°C ~ 45°C	
Accessory	<ul style="list-style-type: none"> • 4-Leaf Barndoor • Diffusing filter • Honeycomb Grid • Pole Operated Yoke (Panning / Tilting) 	
Color Temperature	3200K	5600K
CCT Tolerance	±150K	±150K
CRI	97 Ra	95 Ra



Lumos 700GT MK

LED Light for the Field & Studio

- Equivalent of 1500W Tungsten
- Adjustable Color Temperature (3200~5600K or 2800~6500K)
- All Metal Body
- No Fan (Convective Transfer)
- Flicker Free
- Stable Dimming (0~100%)
- Standard DMX 512 / RDM
- LED Lifetime : 50,000 hours

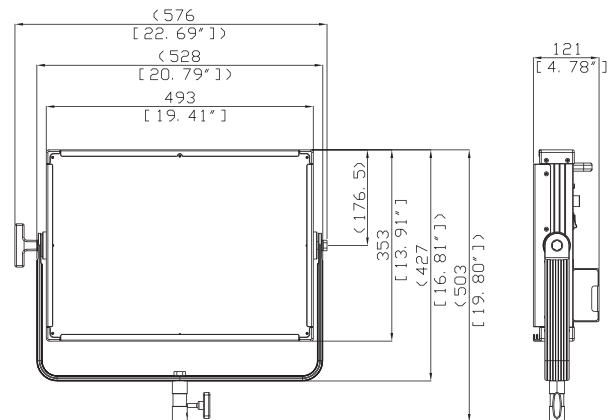


Photometric Information of Lumos 700GT MK

CCT	LED option	4ft	8ft	12ft	16ft	20ft	1m	2m	3m	4m	5m
3200K	w/o lens(85)	357.7 Fc	89.4 Fc	39.7 Fc	22.4 Fc	14.3 Fc	5,400 lux	1,431 lux	636 lux	358 lux	229 lux
	w/ lens(55)	576.4 Fc	144.1 Fc	64.0 Fc	36.0 Fc	23.1 Fc	8,700 lux	2,306 lux	1,025 lux	576 lux	369 lux
	w/ lens(40)	1,053.4 Fc	263.3 Fc	117.0 Fc	65.8 Fc	42.1 Fc	15,900 lux	4,214 lux	1,873 lux	1,053 lux	674 lux
5600K	w/o lens(85)	390.9 Fc	97.7 Fc	43.4 Fc	24.4 Fc	15.6 Fc	5,900 lux	1,564 lux	695 lux	391 lux	250 lux
	w/ lens(55)	629.4 Fc	157.3 Fc	69.9 Fc	39.3 Fc	25.2 Fc	9,500 lux	2,518 lux	1,119 lux	629 lux	403 lux
	w/ lens(40)	1,139.5 Fc	284.9 Fc	126.6 Fc	71.2 Fc	45.6 Fc	17,200 lux	4,558 lux	2,026 lux	1,140 lux	729 lux

Lumos 700GT MK Specifications

Power Consumption	200W Nominal / 230W Maximum	
Size	W493 x H353 x L121 (mm) / W19.4 x H13.9 x L4.8 (inch)	
Weight	8.8 Kg / 19.4 lb	
Color Temperature	3200 ~ 5600K or 2800 ~ 6500K	
E.Characteristics	AC 100~240V / 50~60Hz	
Dimming	0 ~ 100%	
Control	Manual / DMX512 / RDM	
Software Update	USB	
Flicker	Flicker Free	
Cooling System	Natural Convection (No Fan)	
Operation Temp.	0°C ~ 45°C	
Accessory	<ul style="list-style-type: none"> • 4-Leaf Barndoor • Diffusing filter • Honeycomb Grid • Pole Operated Yoke (Panning / Tilting) 	
Color Temperature	3200K	5600K
CCT Tolerance	±150K	±150K
CRI	97 Ra	95 Ra





Lumos 700GT F

LED Light for the Field & Studio

- Equivalent of 1500W Tungsten
- CRI 97Ra at 3200K or CRI 95Ra at 5600K
- All Metal Body
- No Fan (Convective Transfer)
- Flicker Free
- Stable Dimming (0~100%)
- Standard DMX 512 / RDM
- LED Lifetime : 50,000 hours

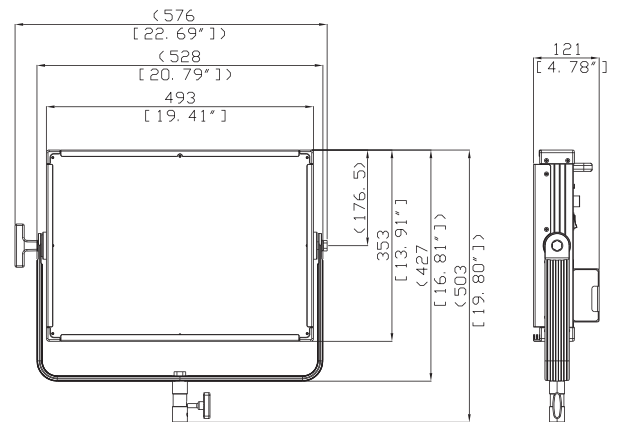


Photometric Information of Lumos 700GT F

CCT	LED option	4ft	8ft	12ft	16ft	20ft	1m	2m	3m	4m	5m
3200K	w/o lens(85)	357.7 Fc	89.4 Fc	39.7 Fc	22.4 Fc	14.3 Fc	5,400 lux	1,431 lux	636 lux	358 lux	229 lux
	w/ lens(55)	576.4 Fc	144.1 Fc	64.0 Fc	36.0 Fc	23.1 Fc	8,700 lux	2,306 lux	1,025 lux	576 lux	369 lux
	w/ lens(40)	1,053.4 Fc	263.3 Fc	117.0 Fc	65.8 Fc	42.1 Fc	15,900 lux	4,214 lux	1,873 lux	1,053 lux	674 lux
5600K	w/o lens(85)	390.9 Fc	97.7 Fc	43.4 Fc	24.4 Fc	15.6 Fc	5,900 lux	1,564 lux	695 lux	391 lux	250 lux
	w/ lens(55)	629.4 Fc	157.3 Fc	69.9 Fc	39.3 Fc	25.2 Fc	9,500 lux	2,518 lux	1,119 lux	629 lux	403 lux
	w/ lens(40)	1,139.5 Fc	284.9 Fc	126.6 Fc	71.2 Fc	45.6 Fc	17,200 lux	4,558 lux	2,026 lux	1,140 lux	729 lux

Lumos 700GT F Specifications

Power Consumption	200W Nominal / 230W Maximum	
Size	W493 x H353 x L121 (mm) / W19.4 x H13.9 x L4.8 (inch)	
Weight	8.8 Kg / 19.4 lb	
Color Temperature	3200 or 5600K	
E.Characteristics	AC 100~240V / 50~60Hz	
Dimming	0 ~ 100%	
Control	Manual / DMX512 / RDM	
Software Update	USB	
Flicker	Flicker Free	
Cooling System	Natural Convection (No Fan)	
Operation Temp.	0°C ~ 45°C	
Accessory	<ul style="list-style-type: none"> • 4-Leaf Barndoor • Diffusing filter • Honeycomb Grid • Pole Operated Yoke (Panning / Tilting) 	
Color Temperature	3200K	5600K
CCT To erance	±150K	±150K
CR	97 Ra	95 Ra

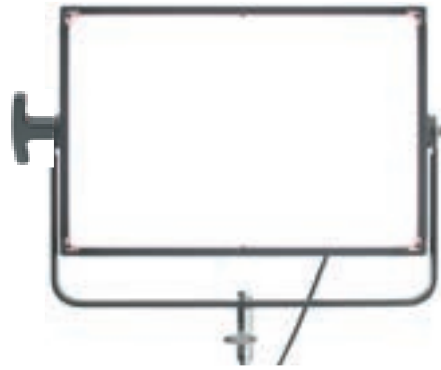




Lumos 500GT MK

LED Light for the Field & Studio

- Equivalent of 1000W Tungsten
- Adjustable Color Temperature (3200~5600K or 2800~6500K)
- All Metal Body
- No Fan (Convective Transfer)
- Flicker Free
- Stable Dimming (0~100%)
- Standard DMX 512 / RDM
- LED Lifetime : 50,000 hours

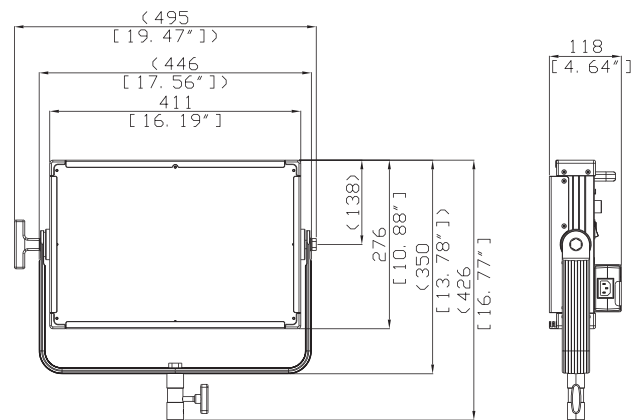


Photometric Information of Lumos 500GT MK

CCT	LED option	4ft	8ft	12ft	16ft	20ft	1m	2m	3m	4m	5m
3200K	w/o lens(85)	198.7 Fc	49.7 Fc	22.1 Fc	12.4 Fc	7.9 Fc	3,000 lux	800 lux	350 lux	200 lux	130 lux
	w/ lens(55)	327.9 Fc	82.0 Fc	36.4 Fc	20.5 Fc	13.1 Fc	4,950 lux	1,310 lux	580 lux	330 lux	210 lux
	w/ lens(40)	643.9 Fc	161.0 Fc	71.5 Fc	40.2 Fc	25.8 Fc	9,720 lux	2,580 lux	1,140 lux	640 lux	410 lux
5600K	w/o lens(85)	215.3 Fc	53.8 Fc	23.9 Fc	13.5 Fc	8.6 Fc	3,250 lux	860 lux	380 lux	220 lux	140 lux
	w/ lens(55)	351.1 Fc	87.8 Fc	39.0 Fc	21.9 Fc	14.0 Fc	5,300 lux	1,400 lux	620 lux	350 lux	220 lux
	w/ lens(40)	697.6 Fc	174.4 Fc	77.5 Fc	43.6 Fc	27.9 Fc	10,530 lux	2,790 lux	1,240 lux	700 lux	450 lux

Lumos 500GT MK Specifications

Power Consumption	120W	
Size	W411x H276 x L118 (mm) / W16.2 x H10.9 x L4.6 (inch)	
Weight	6 Kg / 13.2 lb	
Color Temperature	3200 ~ 5600K or 2800 ~ 6500K	
E.Characteristics	AC 100~240V / 50~60Hz	
Input Voltage	12~24V DC (Free Volt)	
Dimming	0 ~ 100%	
Control	Manual / DMX512 / RDM	
Software Update	USB	
Flicker	Flicker Free	
Cooling System	Natural Convection (No Fan)	
Operation Temp.	0°C ~ 45°C	
Accessory	<ul style="list-style-type: none"> • 4-Leaf Barndoor • Diffusing filter • Honeycomb Grid • Pole Operated Yoke (Panning / Tilting) 	
Color Temperature	3200K	5600K
CCT Tolerance	±150K	±150K
CRI	97 Ra	95 Ra



Lumos 500GT F



LED Light for the Field & Studio

- Equivalent of 1000W Tungsten
- CRI 97Ra at 3200K or CRI 95Ra at 5600K
- All Metal Body
- No Fan (Convective transfer)
- Flicker Free
- Stable Dimming (0~100%)
- Standard DMX 512 / RDM
- LED Lifetime : 50,000 hours

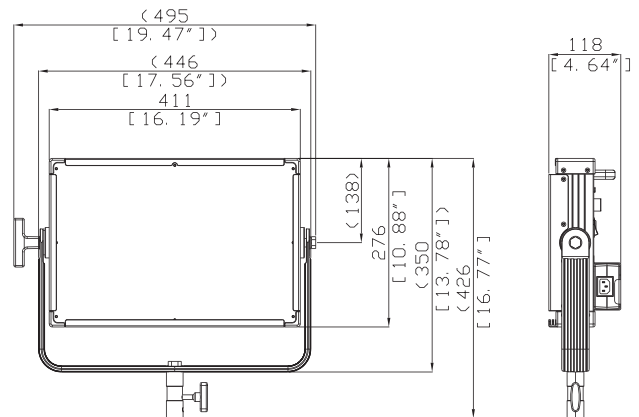


Photometric Information of Lumos 500GT F

CCT	LED option	4ft	8ft	12ft	16ft	20ft	1m	2m	3m	4m	5m
3200K	w/o lens(85)	198.7 Fc	49.7 Fc	22.1 Fc	12.4 Fc	7.9 Fc	3,000 lux	800 lux	350 lux	200 lux	130 lux
	w/ lens(55)	327.9 Fc	82.0 Fc	36.4 Fc	20.5 Fc	13.1 Fc	4,950 lux	1,310 lux	580 lux	330 lux	210 lux
	w/ lens(40)	643.9 Fc	161.0 Fc	71.5 Fc	40.2 Fc	25.8 Fc	9,720 lux	2,580 lux	1,140 lux	640 lux	410 lux
5600K	w/o lens(85)	215.3 Fc	53.8 Fc	23.9 Fc	13.5 Fc	8.6 Fc	3,250 lux	860 lux	380 lux	220 lux	140 lux
	w/ lens(55)	351.1 Fc	87.8 Fc	39.0 Fc	21.9 Fc	14.0 Fc	5,300 lux	1,400 lux	620 lux	350 lux	220 lux
	w/ lens(40)	697.6 Fc	174.4 Fc	77.5 Fc	43.6 Fc	27.9 Fc	10,530 lux	2,790 lux	1,240 lux	700 lux	450 lux

Lumos 500GT F Specifications

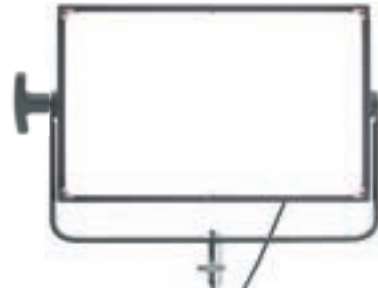
Power Consumption	120W	
Size	W411x H276 x L118 (mm) / W16.2 x H10.9 x L4.6 (inch)	
Weight	6 Kg / 13.2 lb	
Color Temperature	3200K or 5600K	
E.Characteristics	AC 100~240V / 50~60Hz	
Input Voltage	12~24V DC (Free Volt)	
Dimming	0 ~ 100%	
Control	Manual / DMX512 / RDM	
Software Update	USB	
Flicker	Flicker Free	
Cooling System	Natural Convection (No Fan)	
Operation Temp.	0°C ~ 45°C	
Accessory	<ul style="list-style-type: none"> • 4-Leaf Barndoor • Diffusing filter • Honeycomb Grid • Pole Operated Yoke (Panning / Tilting) 	
Color Temperature	3200K	5600K
CCT Tolerance	±150K	±150K
CRI	97 Ra	95 Ra



Lumos 300GT MK

LED Light for the Field & Studio

- Equivalent of 400W Tungsten
- Adjustable Color Temperature (3200~5600K or 2800~6500K)
- All Metal Body
- No Fan (Convective Transfer)
- Flicker Free
- Stable Dimming (0~100%)
- Standard DMX 512
- LED Lifetime : 50,000 hours

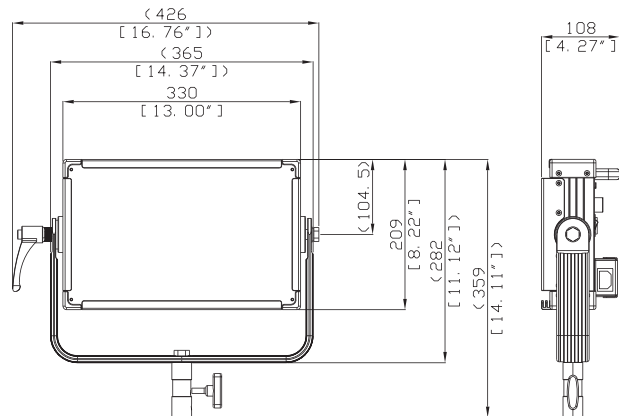


Photometric Information of Lumos 300GT MK

CCT	LED option	4ft	8ft	12ft	1m	2m	3m
3200K	w/o lens(85)	79.5 Fc	19.9 Fc	8.8 Fc	1,200 lux	318 lux	141 lux
	w/ lens(55)	119.2 Fc	29.8 Fc	13.2 Fc	1,800 lux	477 lux	212 lux
	w/ lens(40)	265.0 Fc	66.2 Fc	29.4 Fc	4,000 lux	1,060 lux	471 lux
5600K	w/o lens(85)	92.7 Fc	23.2 Fc	10.3 Fc	1,400 lux	371 lux	165 lux
	w/ lens(55)	139.1 Fc	34.8 Fc	15.5 Fc	2,100 lux	557 lux	247 lux
	w/ lens(40)	304.7 Fc	76.2 Fc	33.9 Fc	4,600 lux	1,219 lux	542 lux

Lumos 300GT MK Specifications

Power Consumption	50W	
Size	W330x H209 x L108 (mm) / W13.0 x H8.2 x L4.3 (inch)	
Weight	4.5 Kg / 10 lb	
Color Temperature	3200 ~ 5600K or 2800 ~ 6500K	
E.Characteristics	AC 100~240V / 50~60Hz	
Input Voltage	12~24V DC (Free Volt)	
Dimming	0 ~ 100%	
Control	Manual / DMX512	
Flicker	Flicker Free	
Cooling System	Natural Convection (No Fan)	
Operation Temp.	0°C ~ 45°C	
Accessory	<ul style="list-style-type: none"> • 4-Leaf Barndoor • Diffusing filter • Honeycomb Grid 	
Color Temperature	3200K	5600K
CCT Tolerance	±150K	±150K
CRI	97 Ra	95 Ra

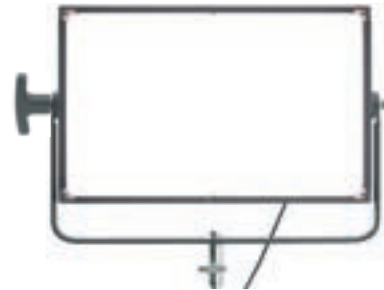




Lumos 300GT F

LED Light for the Field & Studio

- Equivalent of 400W Tungsten
- CRI 97Ra at 3200K or CRI 95Ra at 5600K
- All Metal Body
- No Fan (Convective Transfer)
- Flicker Free
- Stable Dimming (0~100%)
- Standard DMX 512
- LED Lifetime : 50,000 hours

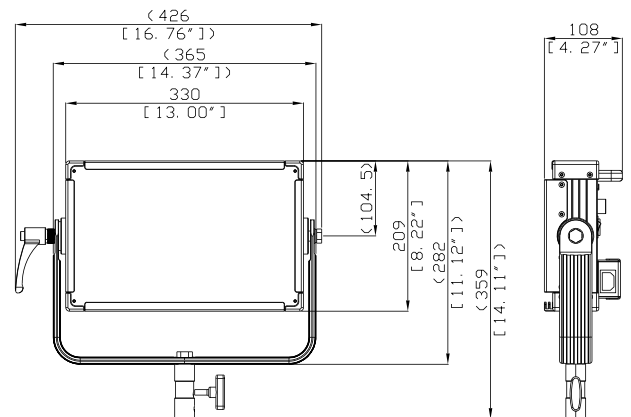


Photometric Information of Lumos 300GT F

CCT	LED option	4ft	8ft	12ft	1m	2m	3m
3200K	w/o lens(85)	79.5 Fc	19.9 Fc	8.8 Fc	1,200 lux	318 lux	141 lux
	w/ lens(55)	119.2 Fc	29.8 Fc	13.2 Fc	1,800 lux	477 lux	212 lux
	w/ lens(40)	265.0 Fc	66.2 Fc	29.4 Fc	4,000 lux	1,060 lux	471 lux
5600K	w/o lens(85)	92.7 Fc	23.2 Fc	10.3 Fc	1,400 lux	371 lux	165 lux
	w/ lens(55)	139.1 Fc	34.8 Fc	15.5 Fc	2,100 lux	557 lux	247 lux
	w/ lens(40)	304.7 Fc	76.2 Fc	33.9 Fc	4,600 lux	1,219 lux	542 lux

Lumos 300GT F Specifications

Power Consumption	50W	
Size	W330x H209 x L108 (mm) / W13.0 x H8.2 x L4.3 (inch)	
Weight	4.5 Kg / 10 lb	
Color Temperature	3200k or 5600K	
E.Characteristics	AC 100~240V / 50~60Hz	
Input Voltage	12~24V DC (Free Volt)	
Dimming	0 ~ 100%	
Control	Manual / DMX512	
Flicker	Flicker Free	
Cooling System	Natural Convection (No Fan)	
Operation Temp.	0°C ~ 45°C	
Accessory	<ul style="list-style-type: none"> • 4-Leaf Barndoor • Diffusing filter • Honeycomb Grid 	
Color Temperature	3200K	5600K
CCT Tolerance	±150K	±150K
CRI	97 Ra	95 Ra

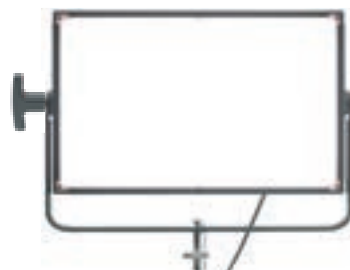




Lumos 200GT MK

LED Light for the Field & Studio

- Equivalent of 300W Tungsten
- Adjustable Color Temperature (3200~5600K or 2800~6500K)
- All Metal Body
- No Fan (Convective Transfer)
- Flicker Free
- Stable Dimming (0~100%)
- Standard DMX 512
- LED Lifetime : 50,000 hours

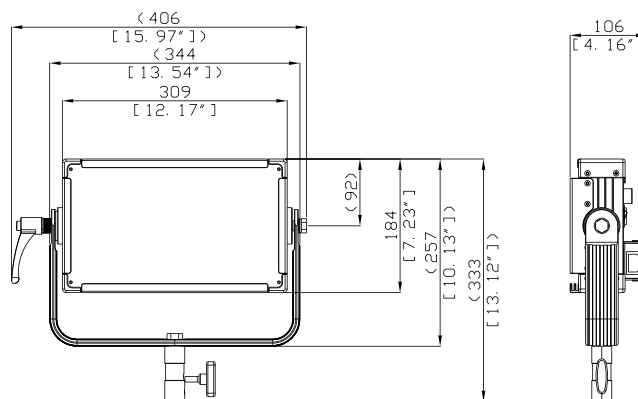


Photometric Information of Lumos 200GT MK

CCT	LED option	4ft	8ft	12ft	1m	2m	3m
3200K	w/o lens(85)	56.3 Fc	14.1 Fc	6.3 Fc	850 lux	225 lux	100 lux
	w/ lens(55)	90.1 Fc	22.5 Fc	10.0 Fc	1,360 lux	360 lux	160 lux
5600K	w/o lens(85)	60.9 Fc	15.2 Fc	6.8 Fc	920 lux	244 lux	108 lux
	w/ lens(55)	97.4 Fc	24.3 Fc	10.8 Fc	1,470 lux	390 lux	173 lux

Lumos 200GT MK Specifications

Power Consumption	30W	
Size	W309x H184 x L117 (mm) / W12.2 x H7.2 x L4.6 (inch)	
Weight	4.1 Kg / 9 lb	
Color Temperature	3200 ~ 5600K or 2800 ~ 6500K	
E.Characteristics	AC 100~240V / 50~60Hz	
Input Voltage	12~24V DC (Free Volt)	
Dimming	0 ~ 100%	
Control	Manual / DMX512	
Flicker	Flicker Free	
Cooling System	Natural Convection (No Fan)	
Operation Temp.	0°C ~ 45°C	
Accessory	<ul style="list-style-type: none"> • 4-Leaf Barndoor • Diffusing filter • Honeycomb Grid 	
Color Temperature	3200K	5600K
CCT Tolerance	±150K	±150K
CRI	97 Ra	95 Ra

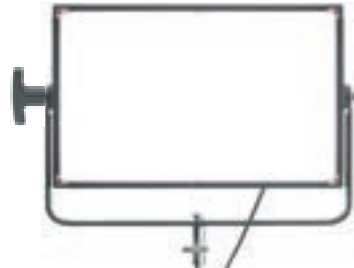




Lumos 200GT F

LED Light for the Field & Studio

- Equivalent of 300W Tungsten
- CRI 97Ra at 3200K or CRI 95Ra at 5600K
- All Metal Body
- No Fan (Convective Transfer)
- Flicker Free
- Stable Dimming (0~100%)
- Standard DMX 512
- LED Lifetime : 50,000 hours

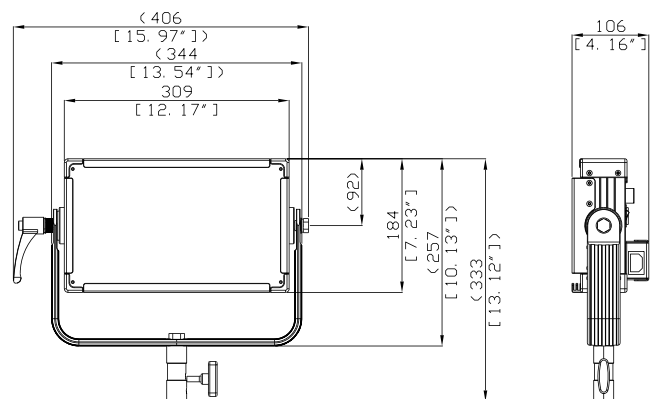


Photometric Information of Lumos 200GT F

CCT	LED option	4ft	8ft	12ft	1m	2m	3m
3200K	w/o lens(85)	56.3 Fc	14.1 Fc	6.3 Fc	850 lux	225 lux	100 lux
	w/ lens(55)	90.1 Fc	22.5 Fc	10.0 Fc	1,360 lux	360 lux	160 lux
5600K	w/o lens(85)	60.9 Fc	15.2 Fc	6.8 Fc	920 lux	244 lux	108 lux
	w/ lens(55)	97.4 Fc	24.3 Fc	10.8 Fc	1,470 lux	390 lux	173 lux

Lumos 200GT F Specifications

Power Consumption	30W	
Size	W309x H184 x L117 (mm) / W12.2 x H7.2 x L4.6 (inch)	
Weight	4.1 Kg / 9 lb	
Color Temperature	3200k or 5600K	
E.Characteristics	AC 100~240V / 50~60Hz	
Input Voltage	12~24V DC (Free Volt)	
Dimming	0 ~ 100%	
Control	Manual / DMX512	
Flicker	Flicker Free	
Cooling System	Natural Convection (No Fan)	
Operation Temp.	0°C ~ 45°C	
Accessory	<ul style="list-style-type: none"> • 4-Leaf Barndoor • Diffusing filter • Honeycomb Grid 	
Color Temperature	3200K	5600K
CCT Tolerance	±150K	±150K
CRI	97 Ra	95 Ra



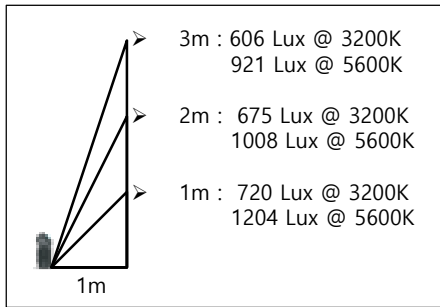
Lumos Corol Rol 500

LED Light for the Studio

- Digital Touch LCD Display
- CCT : 2800~10000K
- All Metal Body
- 15°~50° Beam Angle 90° x 20°
- Hybrid Cooling System
- Flicker Free
- Stable Dimming (0~100%)
- Standard DMX 512 / RDM
- LED Lifetime : 50,000 hours

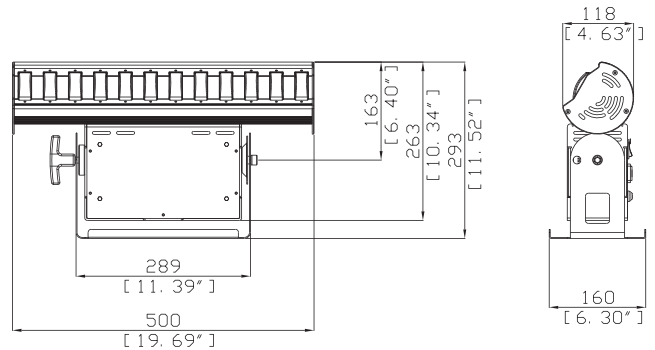


Photometric Information of Lumos Color Rol 500



Lumos Color Rol 500 Specifications

Power Consumption	150W Nominal / 200W Maximum
Size	W500 x H293 x L160 (mm) / W19.7 x H11.5 x L6.3 (inch)
Weight	6 Kg / 13.22 lb
Color Temperature	2800 ~ 10000K
E.Characteristic	AC 100~240C / 50~60Hz
Dimming	0 ~ 100%
Control	Manual / DMX 512 / RDM
Flicker	Flicker free
LED Color	R.G.B.W Mixed
LED Qty's	12ea
Lens Type	Asymmetric
Lens Beam Angle	90° X 20°
CRI	85 Ra
Cooling system	Hybrid cooling system
Operating Temp.	-20°C ~ 50°C
Storage Temp.	0°C ~ 60°C
Power Connection	Input : Neutrik PwerCON TRUE 1 Output : Neutrik PwerCON TRUE 1 * Daisy Chain Up To 5
Mode	
Control Mode	CCT & RGBW / CCT & HSI
Effect Mode	Color Chase / Strobe / Lingt Bar





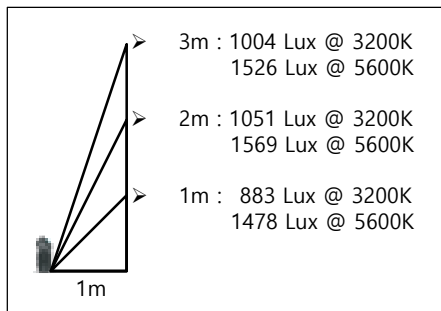
Lumos Corol Rol 1000

LED Light for the Studio

- Digital Touch LCD Display
- CCT : 2800~10000K
- All Metal Body
- 15°~50° Beam Angle 90° x 20°
- Hybrid Cooling System
- Flicker Free
- Stable Dimming (0~100%)
- Standard DMX 512 / RDM
- LED Lifetime : 50,000 hours

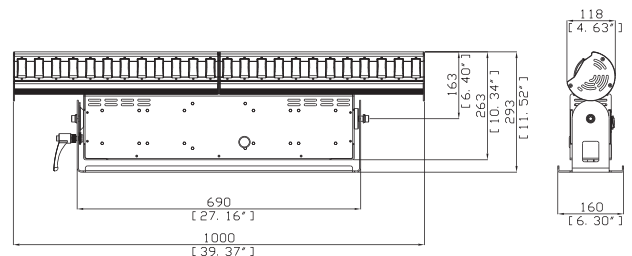


Photometric Information of Lumos Color Rol 1000



Lumos Color Rol 1000 Specifications

Power Consumption	300W Nominal / 350W Maximum
Size	W1000 x H293 x L160 (mm) / W39.4 x H11.5 x L6.3 (inch)
Weight	13 Kg / 28.66 lb
Color Temperature	2800 ~ 10000K
E.Characteristic	AC 100~240C / 50~60Hz
Dimming	0~100%
Control	Manual / DMX 512 / RDM
Flicker	Flicker free
LED Color	R.G.B.W Mixed
LED Qty's	24ea
Lens Type	Asymmetric
Lens Beam Angle	90° X 20°
CRI	85 Ra
Cooling system	Hybrid cooling system (fan)
Operating Temp.	-20°C ~ 50°C
Storage Temp.	0°C ~ 60°C
Power Connection	Input : Neutrik PwerCON TRUE 1 Output : Neutrik PwerCON TRUE 1 * Daisy Chain Up To 5
Mode	
Control Mode	CCT & RGBW / CCT & HSI
Effect Mode	Color Chase / Strobe / Lingt Bar





Color Rol 500 / 1000 Lighting Modes

Mode	
CCT & RGBW	<ul style="list-style-type: none"> • Dimming 0~100% Control (Adjust by 1%) • CCT 2800~10000K Control (Adjust by 100K) • Green-Magenta GN -0.030~+0.030 Control (Adjust by 0.001%) • Change Mode by Mixing Slide (Adjust by 1%) • Red / Green / Blue / White LED Dimming 0~100% Control (Adjust by 1%)
CCT & HSI	<ul style="list-style-type: none"> • Dimming 0~100% Control (Adjust by 1%) • CCT 2800~10000K Control (Adjust by 100K) • Green-Magenta GN -0.030~+0.030 Control (Adjust by 0.001%) • Change Mode by Mixing Slide (Adjust by 1%) • HUE 0°~360° (Adjust by 1°) • Saturation 0~100% Control (Adjust by 1%)
Color Chase	<ul style="list-style-type: none"> • Dimming 0~100% Control (Adjust by 1%) • Speed 0~100% Control (Adjust by 1%) • Saturation 0~100% Control (Adjust by 1%)
Strobe	<ul style="list-style-type: none"> • Dimming 0~100% Control (Adjust by 1%) • CCT 2800~10000K Control (Adjust by 100K) • Flash Speed 0~100% Control (Adjust by 1%)
Light Bar	<ul style="list-style-type: none"> • Dimming 0~100% Control (Adjust by 1%) • Select Flash Color (Red / Green / Blue / White) • Select Flash Type (Single / Double / Triple / Triple all / Cycle)
Setting	<ul style="list-style-type: none"> • Dimming Speed Setting (Very Fast / Fast / Medium / Slow) • LCD Brightness 0%~100% (Adjust by 1%) • Fan Control <ul style="list-style-type: none"> * Fan Auto On (Automatic Adjust Speed) / Fan High (Full Speed) / Fan Middle (Speed 50%) / Fan Low (Speed 30%) / Fan Off
DMX Address Change	<ul style="list-style-type: none"> • Change DMX Address (1~512) • Change DMX Mode Protocol <ul style="list-style-type: none"> * M1 : CCT / M2 : HSI / M3 : RGBW / M4 : CCT&RGBW / M5 : CCT&HSI / M6 : EFFECT
Information	<ul style="list-style-type: none"> • LED PCB, Controller Temperature • Fan Status and Input Voltage • Firmware Version and Date • Fixture, LED Using Hour • Produce Year, Number and UID
Fixture	<ul style="list-style-type: none"> • Display Fixture ID (No.) and Change the Fixture ID

Lumos-500CL



LED Light for the Field & Studio

- Standard Size
- CRI 97Ra at 3200K or CRI 95Ra at 5600K
- All metal Body
- No fan (Convective transfer)
- Flicker free
- Stable dimming (0~100%)
- Standard DMX 512
- LED lifetime : 50,000 hours



Adjustable Size (Customizing)

- Power Consumption : 100~400W
- Max. Size : 1200 x 1200(mm) / W47.2 x H47.2 (inch)

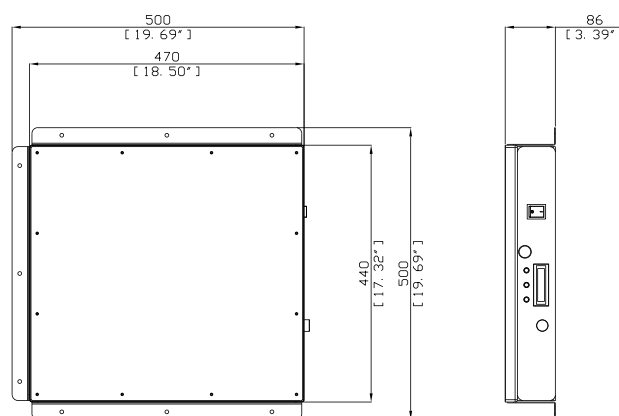
Photometric Information of Lumos-500CL

CCT	LED option	4ft	8ft	12ft	16ft	20ft	1m	2m	3m	4m	5m
3200K	w/o lens(85)	152.4 Fc	38.1 Fc	16.9 Fc	9.5 Fc	5.8 Fc	2,300 lux	610 lux	271 lux	152 lux	98 lux
5600K	w/o lens(85)	165.6 Fc	41.4 Fc	18.4 Fc	10.4 Fc	6.4 Fc	2,500 lux	663 lux	294 lux	166 lux	106 lux

Lumos-500CL Specifications

Power Consumption	100W	
Size	500 x 500 x 86 (mm) / W19.7 x H19.7 x L3.4 (inch)	
Weight	8 kg / 17.63 lb	
Color Temperature	Flood : 3200 or 5600K MK : 2800 ~ 6500K or 3200 ~ 5600K	
E. Characteristics	AC 100~240V / 50~60Hz	
Dimming	0 ~ 100%	
Control	Manual / DMX512	
Flicker	Flicker free	
Operating Temp.	0°C ~ 45°C	

Color Temperature	3200K	5600K
CCT Tolerance	±200K	±200K
CRI	97Ra	95Ra





Beyond your expectations[®]

Lumos

by **DMLite in KOREA**

DMLite in KOREA

서울시 강서구 양천로 57길 26, 비전타워 501호
TEL : 02-540-0984
FAX : 02-6003-0094
E-mail : sales@dmlite.co.kr



www.Lumos.co.kr

